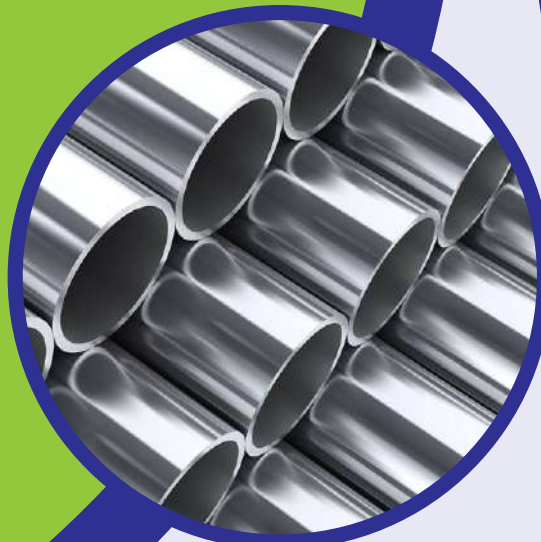




**Manufacturers  
Wholesalers  
Exporters &  
Suppliers of**

- Tube Fittings,
- Ferrule Fittings,
- Compression Fittings,
- Instrumentation Fittings,
- Flanges,
- Butt Weld Fittings.



# Index

Company Profile	01
<b>Buttweld Fitting</b>	<b>02</b>
Dimension of LR Elbow & LR Return / U Bend	03
Dimension of SR Elbow & SR Return / U Bend	04
Dimension of Equal Tee & Cross	05
Dimension of Unequal Tee & Unequal Cross	06
Dimension of Reducers	07
Dimension of Caps	08
Dimension of Lap-Joint Stubends B16.9	09
Dimension of Lap-Joint Stubends MSS Sp43	10
Dimension of Tolerances of Buttweld Pipe Fittings	11
<b>Flanges</b>	<b>12</b>
Dimension of Flanges Class 150 & Class 300	13
Dimension of Flanges Class 600 & Class 900	14
Dimension of Flanges Class 1500 & Class 2500	15
Dimension of Spectacle Blanks/Figure8/Spacer & Blanks Class 150,300,600 & 900	16
Dimension of Flanges Types & Specifications	17
<b>Forged Fitting</b>	<b>18</b>
Dimension of Forged Threaded Fittings	19
Dimension of Socketweld Fittings	20
Dimension of Threaded Plugs & Bushing	21
Dimension of Unions	22
<b>Outlet</b>	<b>23</b>
Dimension of Welding Outlet	24
Dimension of Socketweld Outlet	25
Dimension of Lateral Outlet	26
Dimension of Nipple Outlets & Swaged Nipple	27
<b>Pipes</b>	<b>28</b>
Dimension of Stainless Steel & Carbon Steel Pipes	29
<b>Round Bars</b>	<b>30</b>
<b>Sheets/Plates/Coils</b>	<b>31</b>
<b>Fastners</b>	<b>32</b>

## About Neelkamal

Neelkamal Alloys today are the major manufacturer, supplier and exporters of the wide range of ferrous and non-ferrous metal products. We have successfully created an important place in the market under the mentorship of Mr. Parasmal C. Shah. For a decade now we have given services to many companies with different qualities of Flanges, Stainless Steel and Carbon Steel Pipe Fittings, Pipes, Sheet, Fasteners, Plates suitable for various applications.

We are incomplete without the support of our industrious staff who works constantly towards achieving the goal of producing quality products. The experienced team is qualified professionals who are well apt in different techniques which are needed to produce premium grade ferrous and non-ferrous metal products. They are able people who know everything from sourcing quality raw material from reputed vendors to testing the engineered components these people are expert.

## Who We Are

We take privilege to introduce ourselves as a prime manufacturer, exporters and suppliers various quality of Stainless Steel and Carbon Steel Pipe Fittings, Flanges, Fasteners, Pipes, Sheet, Plates suitable for various applications. we are in this field for nearly a decade rendering our services to many public and private sector companies of your repute.

## Our Vision & Mission

Neel Kamal Alloys (NK Alloys) welcome you to let us have an opportunity to meet and understand your specific requirements and let us assure you of personal attention and no matter how little or bulk your needs are”

- As such your kind favor is solicited to oblige us with your enquiries to enable us to quote minimum prices with full assurance to execute your order to your utmost satisfaction and we want register with your firm.
- We satisfy our valued clients, our people and society at large, as well as contribute to the task of nation building by perpetual improvement in quality and services.
- We hope in building long term relations with you, whereupon we can provide you with our best quality products and services.
- We'll be looking forward for your precious response and promise most competitive rates and good business.



# Buttweld Fittings

Types of Buttweld Fittings: Buttweld Elbow, 45 Degree BW Elbow, 90 Degree BW Elbow, 180 Degree BW Elbow, Short Radius Elbow, Long Radius Elbow, Buttweld Tee, Equal Tee, Unequal Tee, Reducing Tee, Barred Tee, Pipe Tee, Buttweld Cross, Buttweld Reducers, Concentric Reducer, Eccentric Reducer, Buttweld Pipe Cap, Butt Weld Nipple, Butt Weld Stub Ends.

**Diameter range:** 1", 2", 3", 4", 6", 8" and up to 36".

**Thickness range:** Schedule 10, schedule 40, schedule 80, XS, XXS and SCH 160

**Stainless Steel:** ASTM A403 WP 304/ 304L/ 304H/ 316/ 316L/ 317/ 317L/ 321/ 310/ 347/ 904L/ etc.

**Carbon Steel:** ASTM A234 WPB / A420 WPL3/ A420 WPL6/ MSS-SP-75 WPHY 42/46/52/56/60/65/70 etc.

**Alloy Steel:** ASTM A234 WP1/ WP5/ WP9/ WP11/ WP22/ WP91/ etc.

## High Nickel Alloy:

**Inconel:** 600 /601 /625 /800 /825 /718

**Hastelloy:** C4 /C22 /C276 /B2 /B3

**Nickel:** 200/201

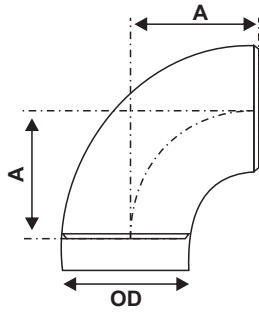
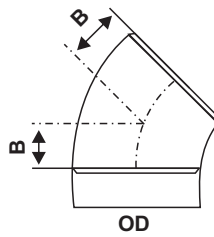
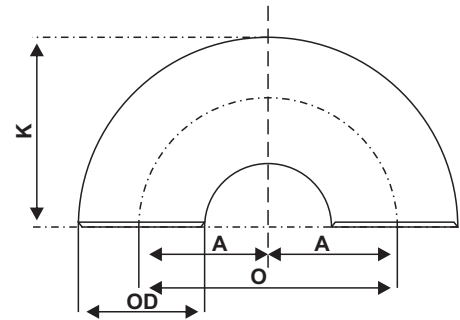
**Cupro-Nickel:** 70/30, 90/10, 95/5

**Duplex Steel:** S31803 / S32205

**Super Duplex Steel:** S32750 S32760

**Titanium:** 1 /2 /3 /4 /5 /7

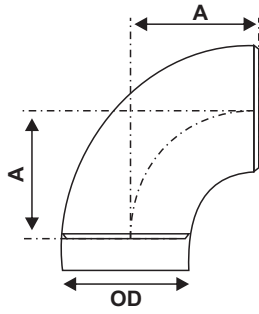
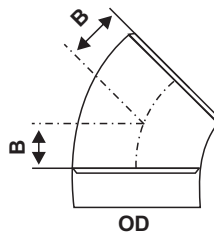
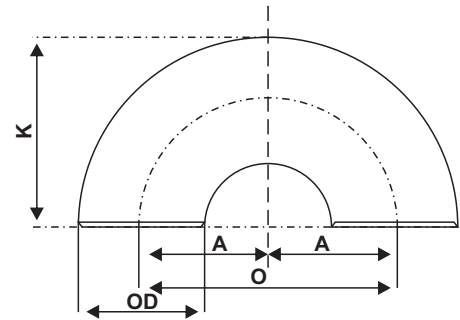


**LR ELBOW & LR RETURN / U BEND**

**90° LR ELBOW**

**45° LR ELBOW**

**180° LR RETURN / U BEND**
**B16.9**

Nominal Pipe Size (NPS)	Outside Diameter at Bevel (O/D)	Dimension A	Dimension B	Center to Center O	Back to Face K
1/2"	21.3	38	16	76	48
3/4"	26.7	38	19	76	51
1"	33.4	38	22	76	56
1.1/4"	42.2	48	25	95	70
1.1/2"	48.3	57	29	114	83
2"	60.3	76	35	152	106
2.1/2"	73.0	95	44	190	132
3"	88.9	114	51	229	159
3.1/2"	101.6	133	57	267	184
4"	114.3	152	64	305	210
5"	141.3	190	79	381	262
6"	168.3	229	95	457	313
8"	219.1	305	127	610	414
10"	273.0	381	159	762	518
12"	323.8	457	190	914	619
14"	355.6	533	222	1067	711
16"	406.4	610	254	1219	813
18"	457.0	686	286	1372	914
20"	508.0	762	318	1524	1016
22"	559.0	838	343	1676	1118
24"	610.0	914	381	1829	1219
26"	660.0	991	406	-----	-----
28"	711.0	1067	438	-----	-----
30"	762.0	1143	470	-----	-----
32"	813.0	1219	502	-----	-----
34"	864.0	1295	533	-----	-----
36"	914.0	1372	565	-----	-----

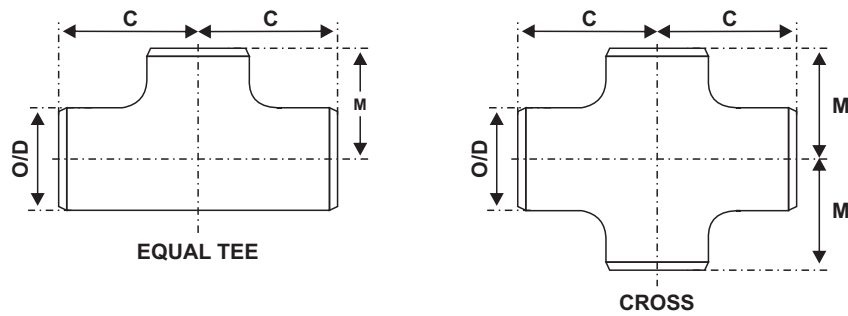
**Note:** All Dimensions are in millimeters (mm)  
Dimension for 40" and above on request



**SR ELBOW & SR RETURN / U BEND**

**90° SR ELBOW**

**45° SR ELBOW**

**180° SR RETURN / U BEND**
**B16.9 / B16.28**

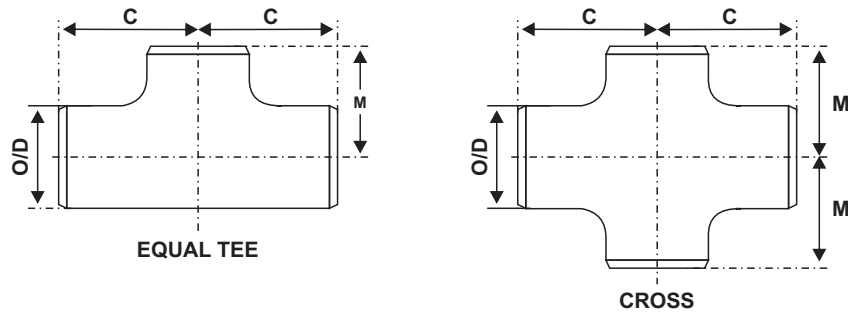
Nominal Pipe Size (NPS)	Outside Diameter at Bevel (O/D)	Dimension A	Dimension B	Center to Center O	Back to Face K
1/2"	21.3	----	----	----	----
3/4"	26.7	----	----	----	----
1"	33.4	25	----	51	41
1.1/4"	42.2	32	----	64	52
1.1/2"	48.3	38	----	76	62
2"	60.3	51	----	102	81
2.1/2"	73.0	64	----	127	100
3"	88.9	76	31.6	152	121
3.1/2"	101.6	89	36.8	178	140
4"	114.3	102	42.1	203	159
5"	141.3	127	52.6	254	197
6"	168.3	152	63.4	305	237
8"	219.1	203	84.2	406	313
10"	273.0	254	105.2	508	391
12"	323.8	305	126.3	610	467
14"	355.6	356	147.3	711	533
16"	406.4	406	168.3	813	610
18"	457.0	457	189.4	914	686
20"	508.0	508	210.4	1016	762
22"	559.0	559	231.5	1118	838
24"	610.0	610	252.5	1219	914

**Note:** All Dimensions are in millimeters (mm)


**EQUAL TEE & CROSS**

**B16.9**

Nominal Pipe Size (NPS)	Outside Diameter at Bevel (O/D)	Run 'C'	Outlet 'm'
1/2"	21.3	25	25
3/4"	26.7	29	29
1"	33.4	38	38
1.1/4"	42.2	48	48
1.1/2"	48.3	57	57
2"	60.3	64	64
2.1/2"	73.0	76	76
3"	88.9	86	86
3.1/2"	101.6	95	95
4"	114.3	105	105
5"	141.3	124	124
6"	168.3	143	143
8"	219.1	178	178
10"	273.0	216	216
12"	323.8	254	254
14"	355.6	279	279
16"	406.4	305	305
18"	457.0	343	343
20"	508.0	381	381
22"	559.0	419	419
24"	610.0	432	432
26"	660.0	495	495
28"	711.0	521	521
30"	762.0	559	559
32"	813.0	597	597
34"	864.0	635	635
36"	914.0	673	673

**Note:** All Dimensions are in millimeters (mm)  
Dimension for 40" and above on request.

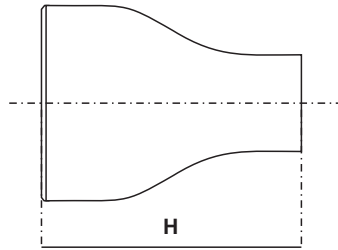
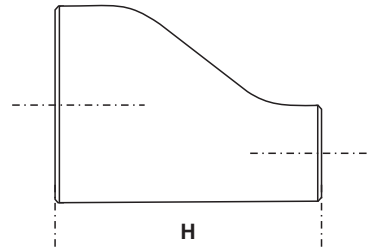
**UNEQUAL TEE & UNEQUAL CROSS**

**B16.9**

Nominal Pipe Size (NPS)	Outside Diameter at Bevel (O/D)		Center to Center		Nominal Pipe Size (NPS)	Outside Diameter at Bevel (O/D)		Center to Center	
	Run	Outlet	Run 'C'	Outlet 'M'		Run	Outlet	Run 'C'	Outlet 'M'
1/2" x 3/8"	21.3	17.3	25	25	10" x 8"	273.0	219.1	216	203
1/2" x 1/4"	21.3	13.7	25	25	10" x 6"	273.0	168.3	216	194
					10" x 5"	273.0	141.3	216	191
3/4" x 1/2"	26.7	21.3	29	29	10" x 4"	273.0	114.3	216	184
3/4" x 3/8"	26.7	17.3	29	29					
					12" x 10"	323.8	273.0	254	241
1" x 3/4"	33.4	26.7	38	38	12" x 8"	323.8	219.1	254	229
1" x 1/2"	33.4	21.3	38	38	12" x 6"	323.8	168.3	254	219
					12" x 5"	323.8	141.3	254	216
1.1/4" x 1"	42.2	33.4	48	48					
1.1/4" x 3/4"	42.2	26.7	48	48	14" x 12"	355.6	323.8	279	270
1.1/4" x 1/2"	42.2	21.3	48	48	14" x 10"	355.6	273.0	279	257
					14" x 8"	355.6	219.1	279	248
1.1/2 x 1.1/4"	48.3	42.2	57	57	14" x 6"	355.6	168.3	279	238
1.1/2 x 1"	48.3	33.4	57	57					
1.1/2 x 3/4"	48.3	26.7	57	57	16" x 14"	406.4	355.6	305	305
1.1/2 x 1/2"	48.3	21.3	57	57	16" x 12"	406.4	323.8	305	295
					16" x 10"	406.4	273.0	305	283
2" x 1.1/2"	60.3	48.3	64	60	16" x 8"	406.4	219.1	305	273
2" x 1.1/4"	60.3	42.2	64	57	16" x 6"	406.4	168.3	305	264
2" x 1"	60.3	33.4	64	51					
2" x 3/4"	60.3	26.7	64	44	18" x 16"	457.0	406.4	343	330
					18" x 14"	457.0	355.6	343	330
2.1/2 x 2"	73.0	60.3	76	70	18" x 12"	457.0	323.8	343	321
2.1/2 x 1.1/2"	73.0	48.3	76	67	18" x 10"	457.0	273.0	343	308
2.1/2 x 1.1/4"	73.0	42.2	76	64	18" x 8"	457.0	219.1	343	298
2.1/2 x 1"	73.0	33.4	76	57					
					20" x 18"	508.0	457.0	381	368
3" x 2.1/2"	89.9	73.0	86	83	20" x 16"	508.0	406.4	381	356
3" x 2"	89.9	60.3	86	76	20" x 14"	508.0	355.6	381	346
3" x 1.1/2"	89.9	48.3	86	73	20" x 12"	508.0	323.8	381	333
3" x 1.1/4"	89.9	42.2	86	70	20" x 10"	508.0	273.0	381	324
					20" x 8"	508.0	219.1	381	324
3.1/2" x 3"	101.6	88.9	95	92					
3.1/2" x 2.1/2"	101.6	73.0	95	89	22" x 20"	559.0	508.0	419	406
3.1/2" x 2"	101.6	60.3	95	83	22" x 18"	559.0	457.0	419	394
3.1/2" x 1.1/2"	101.6	48.3	95	79	22" x 16"	559.0	406.4	419	381
					22" x 14"	559.0	355.6	419	381
4" x 3.1/2"	114.3	101.6	105	102	22" x 12"	559.0	323.8	419	381
4" x 3"	114.3	88.9	105	98	22" x 10"	559.0	273.0	419	359
4" x 2.1/2"	114.3	73.0	105	95					
4" x 2"	114.3	60.3	105	89	24" x 22"	610.0	559.0	432	432
4" x 1.1/2"	114.3	48.3	105	86	24" x 20"	610.0	508.0	432	432
					24" x 18"	610.0	457.0	432	419
5" x 4"	141.3	114.3	124	117	24" x 16"	610.0	406.4	432	406
5" x 3.1/2"	141.3	101.6	124	114	24" x 14"	610.0	355.6	432	406
5" x 3"	141.3	88.9	124	111	24" x 12"	610.0	323.8	432	397
5" x 2.1/2"	141.3	73.0	124	108	24" x 10"	610.0	273.0	432	384
5" x 2"	141.3	60.3	124	105					
					26" x 24"	660.0	610.0	495	483
6" x 5"	168.3	141.3	143	137	26" x 22"	660.0	559.0	495	470
6" x 4"	168.3	114.3	143	130	26" x 20"	660.0	508.0	495	457
6" x 3.1/2"	168.3	101.6	143	127	26" x 18"	660.0	457.0	495	444
6" x 3"	168.3	88.9	143	124	26" x 16"	660.0	406.4	495	432
6" x 2.1/2"	168.3	73.0	143	121	26" x 14"	660.0	355.6	495	432
					26" x 12"	660.0	323.8	495	422
8" x 6"	219.1	168.3	178	168					
8" x 5"	219.1	141.3	178	162	28" x 26"	711.0	660.0	521	521
8" x 4"	219.1	114.3	178	156	28" x 24"	711.0	610.0	521	508
8" x 3.1/2"	219.1	101.6	178	152	28" x 22"	711.0	559.0	521	495
					28" x 20"	711.0	508.0	521	483

**Note:** All Dimensions are in millimeters (mm)  
Dimension for 30" and above on request.



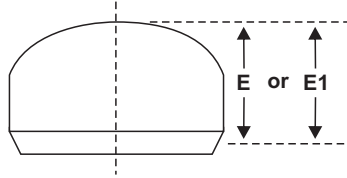


**REDUCER: CONCENTRIC & ECCENTRIC**

**CONCENTRIC REDUCER**

**CONCENTRIC REDUCER**
**B16.9**

Nominal Pipe Size (NPS)	Outside Diameter at Bevel (O/D)		End to End	Nominal Pipe Size (NPS)	Outside Diameter at Bevel (O/D)		End to End
	Run	Outlet	H		Run	Outlet	H
3/4" x 1/2" 3/4" x 3/8"	26.7 26.7	21.3 17.3	38 38	12" x 10" 12" x 8" 12" x 6" 12" x 5"	323.8 323.8 323.8 323.8	273.0 219.1 168.3 141.3	203 203 203 203
1" x 3/4" 1" x 1/2"	33.4 33.4	26.7 21.3	51 51	14" x 12" 14" x 10" 14" x 8" 14" x 6"	355.6 355.6 355.6 355.6	323.8 273.0 219.1 168.3	330 330 330 330
1.1/4" x 1" 1.1/4" x 3/4" 1.1/4" x 1/2"	42.2 42.2 42.2	33.4 26.7 21.3	51 51 51	16" x 14" 16" x 12" 16" x 10" 16" x 8"	406.4 406.4 406.4 406.4	355.6 323.8 273.0 219.1	356 356 356 356
1.1/2" x 1.1/4" 1.1/2" x 1" 1.1/2" x 3/4" 1.1/2" x 1/2"	48.3 48.3 48.3 48.3	42.2 33.4 26.7 21.3	64 64 64 64	18" x 16" 18" x 14" 18" x 12" 18" x 10"	457.0 457.0 457.0 457.0	406.4 356.6 323.8 273.0	381 381 381 381
2" x 1.1/2" 2" x 1.1/4" 2" x 1" 2" x 3/4"	60.3 60.3 60.3 60.3	48.3 42.2 33.4 26.7	76 76 76 76	20" x 18" 20" x 16" 20" x 14" 20" x 12"	508.0 508.0 508.0 508.0	457.0 406.0 355.6 323.8	508 508 508 508
2.1/2" x 2" 2.1/2" x 1.1/2" 2.1/2" x 1.1/4" 2.1/2" x 1"	73.0 73.0 73.0 73.0	60.3 48.3 42.2 33.4	89 89 89 89	22" x 20" 22" x 18" 22" x 16" 22" x 14"	559.0 559.0 559.0 559.0	508.0 457.0 406.4 355.6	508 508 508 508
3" x 2.1/2" 3" x 2" 3" x 1.1/2" 3" x 1.1/4"	88.9 88.9 88.9 88.9	73.0 60.3 48.3 42.2	89 89 89 89	24" x 22" 24" x 20" 24" x 18" 24" x 16"	610.0 610.0 610.0 610.0	559.0 508.0 457.0 406.4	508 508 508 508
3.1/2" x 3" 3.1/2" x 2.1/2" 3.1/2" x 2" 3.1/2" x 1.1/2"	101.6 101.6 101.6 101.6	88.9 73.0 60.3 48.3	102 102 102 102	26" x 24" 26" x 22" 26" x 20" 26" x 18"	660.0 660.0 660.0 660.0	610.0 559.0 508.0 457.0	610 610 610 610
4" x 3.1/2" 4" x 3" 4" x 2.1/2" 4" x 2" 4" x 1.1/2"	114.3 114.3 114.3 114.3 114.3	101.6 88.9 73.0 60.3 48.3	102 102 102 102 102	28" x 26" 28" x 24" 28" x 20" 28" x 18"	711.0 711.0 711.0 711.0	660.0 610.0 508.0 457.0	610 610 610 610
5" x 4" 5" x 3.1/2" 5" x 3" 5" x 2.1/2" 5" x 2"	141.3 141.3 141.3 141.3 141.3	114.3 101.6 88.9 73.0 60.3	127 127 127 127 127	30" x 28" 30" x 26" 30" x 24" 30" x 20"	762.0 762.0 762.0 762.0	711.0 660.0 610.0 508.0	610 610 610 610
6" x 5" 6" x 4" 6" x 3.1/2" 6" x 3" 6" x 2.1/2"	168.3 168.3 168.3 168.3 168.3	141.3 114.3 101.6 88.9 73.0	140 140 140 140 140	32" x 30" 32" x 28" 32" x 26" 32" x 24"	813.0 813.0 813.0 813.0	762.0 711.0 660.0 610.0	610 610 610 610
8" x 6" 8" x 5" 8" x 4" 8" x 3.1/2"	219.1 219.1 219.1 219.1	168.3 141.3 114.3 101.6	152 152 152 152	34" x 32" 34" x 30" 34" x 26" 34" x 24"	864.0 864.0 864.0 864.0	813.0 762.0 660.0 610.0	610 610 610 610
10" x 8" 10" x 6" 10" x 5" 10" x 4"	273.0 273.0 273.0 273.0	219.1 168.3 141.3 114.3	178 178 178 178				

**Note:** All Dimensions are in millimeters (mm)  
Dimension for 36" and above on request.



**CAPS**

**B16.9**

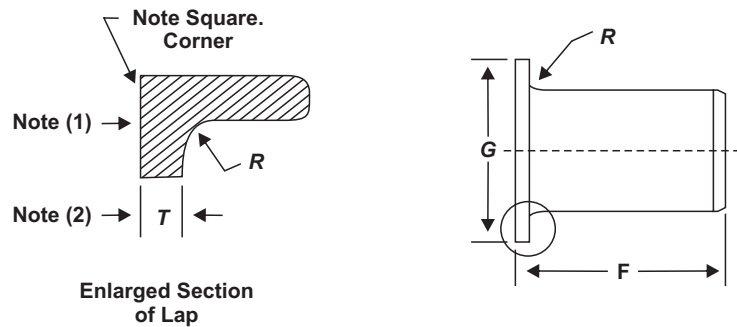
Nominal Pipe Size (NPS)	Outside Diameter at Bevel D	Length (1)	Limiting wall Thickness for Length E	Length (2) E1
1/2	0.84	1.00	0.18	1.00
3/4	1.05	1.00	1.15	1.00
1	1.32	1.50	0.18	1.50
1.1/4	1.66	1.50	0.19	1.50
1.1/2	1.90	1.50	0.20	1.50
2	2.38	1.50	0.22	1.75
2.1/2	2.88	1.50	0.28	2.00
3	3.50	2.00	0.30	2.50
3.1/2	4.00	2.50	0.32	3.00
4	4.50	2.50	0.34	3.00
5	5.56	3.00	0.38	3.50
6	6.62	3.50	0.43	4.00
8	8.62	4.00	0.50	5.00
10	10.75	5.00	0.50	6.00
12	12.75	6.00	0.50	7.00
14	14.00	6.50	0.50	7.50
16	16.00	7.00	0.50	8.00
18	18.00	8.00	0.50	9.00
20	20.00	9.00	0.50	10.00
22	22.00	10.00	0.50	10.00
24	24.00	10.50	0.50	12.00
26	26.00	10.50	----	----
28	28.00	10.50	----	----
30	30.00	10.50	----	----
32	32.00	10.50	----	----
34	34.00	10.50	----	----
36	36.00	10.50	----	----
38	38.00	12.00	----	----
40	40.00	12.00	----	----
42	42.00	12.00	----	----
44	44.00	13.50	----	----
46	46.00	13.50	----	----
48	48.00	13.50	----	----

**GENERAL NOTE:**

- (a) Dimensions are in inches.  
 (b) The shape of this caps shall be ellipsoidal and shall conform to the shape requirements as given in the ASME Boiler and Pressure vessel Code

**NOTES:**

- (1) Length E applies for thickness not exceeding given in column "Limiting Wall Thickness for Length E".  
 (2) Length E1 applies for thickness greater than that given in column "Limiting Wall Thickness" for NPS 24 and smaller. For NPS 26 and larger, length E1 shall be by agreement between manufacturer and purchaser

**LAP-JOINT STUB ENDS B16.9**


Nominal Pipe Size (NPS)	Outside Diameter of Barrel		Long Pattern Length (F) Notes (3)(4)	Short Pattern Length (F) Notes (3)(4)	Radius of Fillet R Note (5)	Diameter of Lap (G) Note (6)
	Max	Min				
1/2"	0.896	0.809	3	2	0.12	1.38
3/4"	1.106	1.019	3	2	0.12	1.69
1"	1.376	1.284	4	2	0.12	2
1.1/4"	1.716	1.629	4	2	0.19	2.5
1.1/2"	1.965	1.869	4	2	0.25	2.88
2"	2.456	2.344	6	2.5	0.31	3.62
2.1/2"	2.966	2.844	6	2.5	0.31	4.12
3"	3.596	3.469	6	2.5	0.38	5
3.1/2"	4.096	3.969	6	3	0.38	5.5
4"	4.593	4.469	6	3	0.44	6.19
5"	5.683	5.532	6	3	0.44	7.3
6"	6.743	6.594	8	3.5	0.5	8.5
8"	8.743	8.594	8	4	0.5	10.62
10"	10.913	10.719	8	5	0.5	12.75
12"	12.913	12.719	10	6	0.5	15
14"	14.17	13.969	10	6	0.5	16.25
16"	16.18	15.969	12	6	0.5	18.5
18"	18.19	17.969	12	6	0.5	21
20"	20.24	19.969	12	6	0.5	23
22"	22.24	21.969	12	6	0.5	25.25
24"	24.24	23.969	12	6	0.5	27.25

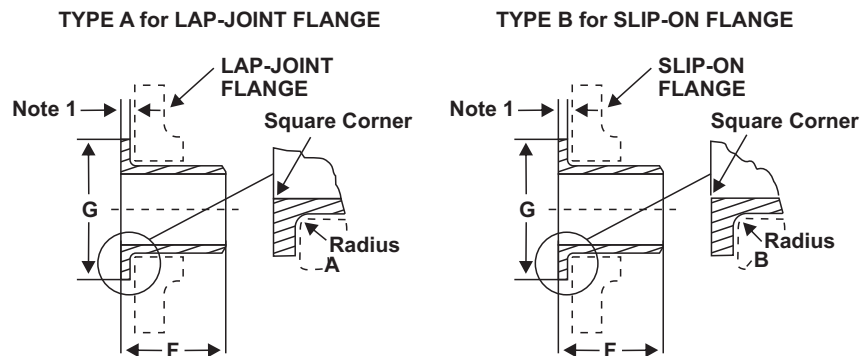
**GENERAL NOTE:**

- All Dimensions are in inches.
- For Tolerance see B/W Fitting tolerance chart
- Service conditions and joint construction often dictate end length requirements. Therefore, the purchaser must specify long or short fitting when ordering.

**NOTES:**

- Gasket face finish shall be in accordance with ASME B 16.5 for raised face flanges.
- The lap thickness T shall not be less than nominal pipe wall thickness (see B/W Fitting tolerance chart)
- When short pattern stub ends are used with larger flanges in classes 300 and 600, with most sizes in classes 900 and higher, and when long pattern stub ends are used with larger flanges in classes 1500 and 2500, it may be necessary to increase the length of the stub ends in order to avoid covering the weld with the flange. Such increases in length shall be matter of agreement between the Manufacturer and Purchaser.
- When special facings such as tongue and groove, male and female, etc., are employed, additional lap thickness must be provided and such additional thickness shall be in addition to (not include in) the basic length F.
- These dimensions conform to the radius established for lap joint flanges in ASME B16.5.
- This dimension conforms to standard machined facings shown in ASME B16.5. the back face of the lap shall be machined to conform to the surface on which it seats. Where ring joint facing are to be applied, use dimension K as given in ASME B16.5.



**LAP-JOINT STUB ENDS MSS SP 43**

**MSS SP 43**

Nominal Pipe Size (NPS)	Outside Diameter of Barrel	Out side Diameter of Lap G	Stub Ends		
			Length F*	Radius* of Fillet	
				A - nominal and max	B (max)
1/2	0.84	1.38	2	0.12	0.03
3/4	1.05	1.69	2	0.12	0.03
1	1.32	2	2	0.12	0.03
1 1/4	1.66	2.5	2	0.19	0.03
1 1/2	1.9	2.88	2	0.25	0.03
2	2.38	3.63	2.5	0.31	0.03
2 1/2	2.88	4.13	2.5	0.31	0.03
3	3.5	5	2.5	0.38	0.03
3 1/2	4	5.5	3	0.38	0.03
4	4.5	6.19	3	0.44	0.03
5	5.56	7.31	3	0.44	0.06
6	6.63	8.5	3.5	0.5	0.06
8	8.63	10.62	4	0.5	0.06
10	10.75	12.75	4	0.5	0.06
12	12.75	15	6	0.5	0.06
14	14	16.25	6	0.5	0.06
16	16	18.5	6	0.5	0.06
18	18	21	6	0.5	0.06
20	20	23	6	0.5	0.06
24	24	27.25	6	0.5	0.06

**ALL DIMENSION ARE IN INCHES**

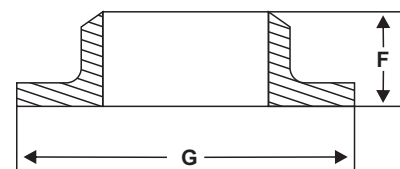
\* These lengths and radii for use with Schedule 40S or thinner pipe.

Note 1. The minimum lap thickness shall not be less than nominal pipe wall thickness.

Note 2. Contact faces of stub ends shall have a modified spiral or concentric serration.

**PRESSED STUBENDS / WELDING COLLARS**

Nominal Pipe Size (NPS)	Outside Diameter of Barrel	Out side Diameter of Lap G	Height 'F'
1/2	0.84	1.38	0.31
3/4	1.05	1.69	0.31
1	1.32	2	0.39
1 1/4	1.66	2.5	0.47
1 1/2	1.9	2.88	0.47
2	2.38	3.63	0.62
2 1/2	2.88	4.13	0.62
3	3.5	5	0.70
3 1/2	4	5.5	0.78
4	4.5	6.19	0.78
5	5.56	7.31	0.98
6	6.63	8.5	0.98
8	8.63	10.62	1.18
10	10.75	12.75	1.37
12	12.75	15	1.57



Note: 1) All Dimension are in inches

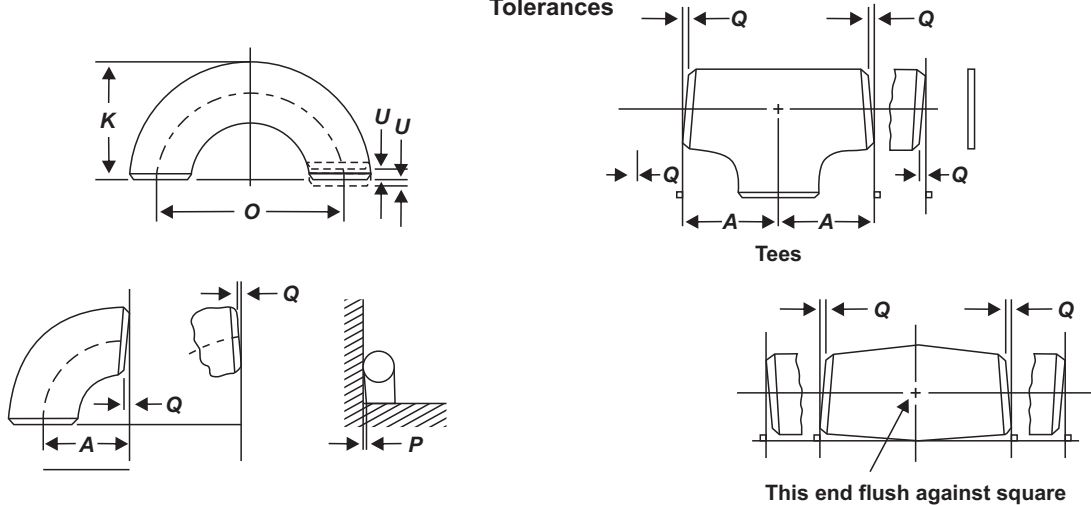
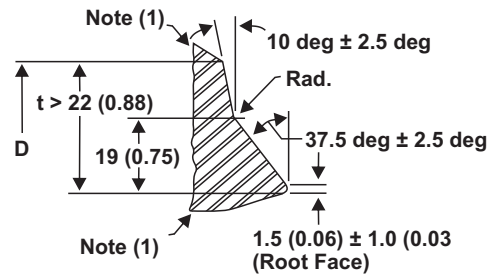
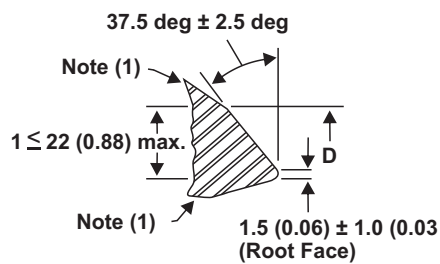
2) Thk as per Sch 10S/40S etc.

3) Also can be manufactured in DIN Standard or as per your drawings



**DIMENSION TOLERANCE OF PIPE FITTING ANSI B16.9 / B16.28 / MSS SP - 43**

ALL FITTINGS				90°/60°/45° 30° ELBOW & TEES		REDUCERS & STUBEND		180° RETURNS			CAPS		ANGULARITY TOLERANCE							
Nominal Pipe Size INCH/MM	Outsider Diameter at Bevel	Inside Dia Meter	Wall Thickness at End	Center to End	Overall Length Dimension	Center to End	Back to Face Dimension	Alignment of End Dimension	Overall Length	Nominal Pipe Size	Off Angel Inch/mm	Off Plane								
	D		T		A,B,C,M		H,F		O		K		U		E		Q	P		
	(1) B16.9	MSS SP43	(2) B16.9	B16.9	MSS SP43	B16.9	MSS SP43	B16.9	MSS SP43	B16.9	MSS SP43	B16.9	MSS SP43	B16.9	MSS SP43		B16.9	B16.9		
1/2" - 2 1/2" 15 - 65	+1.6 ±0.8		±0.8			FROM 1/2"-18" 15-600	FROM 3/4" 15-600	FROM 1/2"-24" 15-600	FROM 1/2"-8" 15-200					±3	±3.17		1/2" - 4" 15 - 100	±1	±2	
3" - 3 1/2" 80 - 90	+1.6	±0.80	±1.6	Not Less Than 87.5% Nominal Thk	Not Less Than 87.5% Nominal Thk	±2	±1.60	±2	±1.60	±6	±6.35	±6.0	±6.4	±1	±0.8	±6	±6.35	5" - 8" 125 - 200	±2	±4
4" 100																		10" - 12" 250 - 300	±3	±5
5" - 8" 125 - 150	+2.4	+1.60	+3.2	Not Less Than 87.5% Nominal Thk	Not Less Than 87.5% Nominal Thk	±2.40	±2.38	±10	±10	±2.0	±1.60	±10	±1.60	±10	±1.60	±10	±6.35	14" - 16" 350 - 400	±3	±7
8" 200	-1.6	-0.80																18" - 24" 450 - 600	±4	±10
10" - 18" 250 - 450	+4 -3.2	+2.38 -0.80	+4.8	Not Less Than 87.5% Nominal Thk	Not Less Than 87.5% Nominal Thk	±2.40	±2.38	±10	±10	±2.0	±1.60	±10	±1.60	±10	±1.60	±10	±6.35	26" - 30" 650 - 750	±5	±10
20" - 24" 500 - 600	+6.4 -4.8	+3.17 -0.79																32" - 42" 800 - 1050	±5	±13
26" - 30" 650 - 750	+6.4 -4.8	+4.8	+4.8	Not Less Than 87.5% Nominal Thk	Not Less Than 87.5% Nominal Thk	±3	±5	±10	±10	±2.0	±1.60	±10	±1.60	±10	±1.60	±10	±6.35	44" - 48" 1100 - 1200	±5	±20
32" - 48" 800 - 1200	+6.4 -4.8	+4.8																42" - 48" 1050 - 1200	±5	±20

**Tolerances**

**Welding Bevels and Root Face**

**Nominal Wall Thickness**

Less than x (Note (2) x to 22 (0.88), inclusive  
more than 22 (0.88)

**End Preparation**

Cut Square or Slightly chamfer, at manufacturer's option ( not illustrated) Plain as in illustration  
(a) above Compound bevel as in illustration (b) above

# Flanges

Types of Flanges: Slip On Flanges, Weld Neck Flanges, Socket Weld Flanges, Blind Flanges, Spectacle Blind Flanges, Lap Joint Flanges, Reducing Flanges, Threaded Flanges, Square Flanges, Long Neck Weld Flanges, Expander Flange, Spade and Ring Spacer Flange, Weldo Flange / Nipo Flange, Orifice Flanges, Loose Flanges, High Hub Blind Flanges, Screwed Flanges, Plate Flanges.

**Flange Face Type:** Raised Face, Flat Face, Ring Joint, Male and Female, Tongue and Groove, Lap Joint

**Flange Finish:** Smooth, Serrated, Stock

**Pressure Class:** 150#, 300#, 400#, 600#, 900#, 1500# and 2500#, PN6, PN10, PN16, PN25, Pn40, and PN64.

**Size:** 1/2" (15 NB) to 48" (1200NB)

**Carbon Steel:** ASTM A105, ASTM A350 LF1/2, ASTM A181

**Alloy Steel:** ASTM A182F1 /F2 /F5 /F7 /F9 /F11 /F12 /F22

**Stainless Steel:** ASTM A182 F304/ F304L/ F304H/ F316/ F316L/ F317/ F317L/ F321/ F310/ F347/ F904L/ etc.

**Duplex Steel:** S31803 / S32205

**Super Duplex Steel:** S32750 S32760

**Titanium:** 1 /2 /3 /4 /5 /7

**High Nickel Alloy:**

**Monel:** ASTM / ASME SB 564 400 /K500

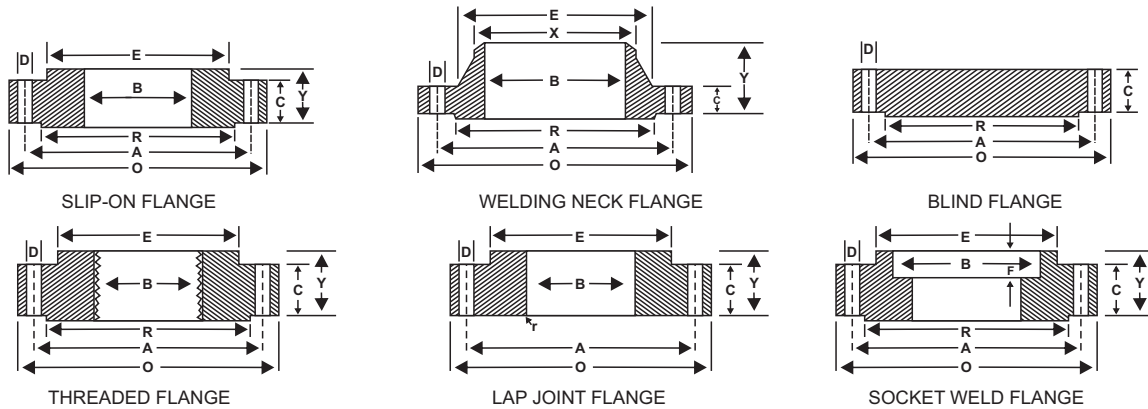
**Inconel:** 600 /601 /625 /800 /825 /718

**Hastelloy:** C4 /C22 /C276 /B2 /B3

**Nickel:** 200/201

**Cupro-Nickel:** 70/30, 90/10, 95/5



**FLANGES CLASS 150 & 300**

**DIMENSION OF CLASS 150 FLANGES AS PER B 16.5**

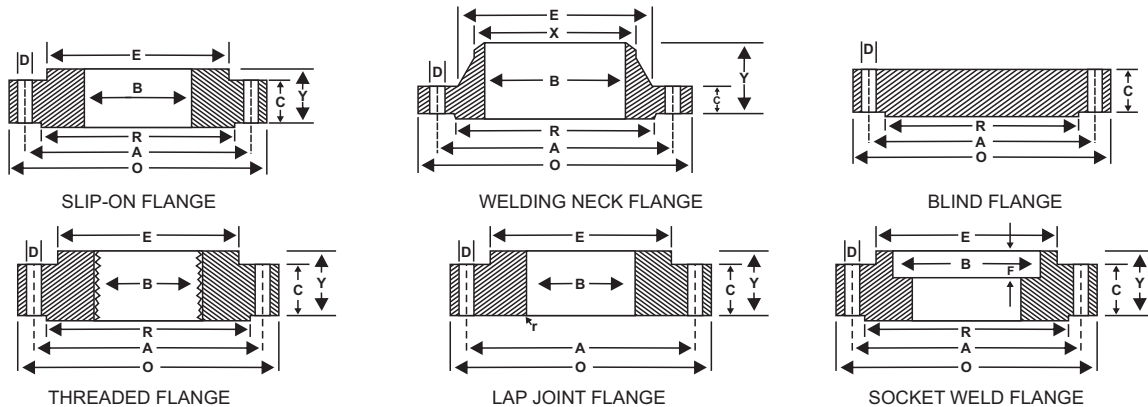
Nominal Pipe Size	Flange Dia O	Dia of Bolt Circle A	No. of Bolt Holes D	No. of Holes	Thk of Flange C	Dia of Hub E	Length through Hub			Dia Bore		Dia of R/F R	Depth of Socket F	Pipe Dia X
							S/O & S/W Y	W/N Y	L/J Y	S/O & S/W B	L/J B			
							Y	Y	Y	B	B			
15	88.9	60.3	15.9	4	11.1	30.2	15.9	47.6	15.9	22.3	22.9	34.9	9.5	21.33
20	98.4	69.8	15.9	4	12.7	38.1	15.9	52.4	15.9	27.7	28.2	42.9	11.1	26.67
25	107.9	79.4	15.9	4	14.3	49.2	17.5	55.6	17.5	34.5	35.0	50.8	12.7	33.40
32	117.5	88.9	15.9	4	15.9	58.7	20.6	57.1	20.6	43.2	43.7	63.5	14.3	42.16
40	127.0	98.4	15.9	4	17.5	65.1	22.2	61.9	22.2	49.5	50.0	73.0	15.9	48.26
50	152.4	120.6	19.0	4	19.0	77.8	25.4	63.5	25.4	62.0	62.5	92.1	17.5	60.31
65	177.8	139.7	19.0	4	22.2	90.5	28.6	69.8	28.6	74.7	75.4	104.8	19.0	73.02
80	190.5	152.4	19.0	4	23.8	107.9	30.2	69.8	30.2	90.7	91.4	127.0	20.6	88.90
100	228.6	190.5	19.0	8	23.8	134.9	33.3	76.2	33.3	116.1	116.8	157.2	23.8	114.30
125	254.0	215.9	22.2	8	23.8	163.5	36.5	88.9	36.5	143.8	144.5	185.7	23.8	141.30
150	279.4	241.3	22.2	8	25.4	192.1	39.7	88.9	39.7	170.7	171.4	215.9	27.0	168.27
200	342.9	298.4	22.2	8	28.6	246.1	44.4	101.6	44.4	221.5	222.2	269.9	31.7	219.07
250	406.4	361.9	25.4	2	30.2	304.8	49.2	101.6	49.2	276.3	277.4	323.8	33.3	273.05
300	482.6	431.8	25.4	2	31.8	365.1	55.6	114.3	55.6	327.1	328.2	381.0	39.7	323.85
350	533.4	476.2	28.6	2	34.9	400.0	57.1	127.0	79.4	359.1	360.2	412.7	41.3	355.60
400	596.9	539.7	28.6	6	36.5	457.0	63.5	127.0	87.3	410.5	411.2	469.9	44.4	406.40
450	635.0	577.8	31.7	6	39.7	504.8	68.3	139.7	96.8	461.8	462.3	533.4	49.2	457.20
500	698.5	635.0	31.7	0	42.9	558.8	73.0	144.5	103.2	513.1	514.3	584.2	54.0	508.00
600	812.8	749.3	34.9	20	47.6	663.6	82.5	152.4	111.1	615.9	615.9	692.1	63.5	609.60

**DIMENSION OF CLASS 300 FLANGES AS PER B 16.5**

Nominal Pipe Size	Flange Dia O	Dia of Bolt Circle A	No. of Bolt Holes D	No. of Holes	Thk of Flange C	Dia of Hub E	Length through Hub			Dia Bore		Dia of R/F R	Depth of Socket F	Pipe Dia X
							S/O & S/W Y	W/N Y	L/J Y	S/O & S/W B	L/J B			
							Y	Y	Y	B	B			
15	95.2	66.7	15.9	4	14.3	38.1	22.2	52.4	22.2	22.3	22.9	34.9	9.5	21.33
20	117.5	82.5	19.0	4	15.9	47.6	25.4	57.1	25.4	27.7	28.2	42.9	11.1	26.67
25	123.8	88.9	19.0	4	17.5	54.0	27.0	61.9	27.0	34.5	35.0	50.8	12.7	33.40
32	133.3	98.4	19.0	4	19.0	63.5	27.0	65.1	27.0	43.2	43.7	63.5	14.3	42.16
40	155.6	114.3	22.2	4	20.6	69.8	30.2	68.3	30.2	49.5	50.0	73.0	15.9	48.26
50	165.1	127.0	19.0	8	22.2	84.1	33.3	69.8	33.3	62.0	62.5	92.1	17.5	60.31
65	190.5	149.2	22.2	8	25.4	100.0	38.1	76.2	38.1	74.7	75.4	104.8	19.0	73.02
80	209.5	168.3	22.2	8	28.6	117.5	42.9	79.4	42.9	90.7	91.4	127.0	20.6	88.90
100	254.0	200.0	22.2	8	31.8	146.0	47.6	85.7	47.6	116.1	116.8	157.2	23.8	114.30
125	279.4	234.9	22.2	8	34.9	177.8	50.8	98.4	50.8	143.8	144.5	185.7	23.8	141.30
150	317.5	269.9	22.2	12	36.5	206.4	52.4	98.4	52.4	170.7	171.4	215.9	27.0	168.27
200	381.0	330.2	25.4	12	41.3	260.3	61.9	111.1	61.9	221.5	222.2	269.9	31.7	219.07
250	444.5	387.3	28.6	16	47.6	320.7	66.7	117.5	95.2	276.3	277.4	323.8	33.3	273.05
300	520.7	450.8	31.7	16	50.8	374.6	73.0	130.2	101.6	327.1	328.2	381.0	39.7	323.85
350	584.2	514.3	31.7	20	54.0	425.4	76.2	142.9	111.1	359.1	360.2	412.7	41.3	355.60
400	647.7	571.5	34.9	20	57.2	482.6	82.5	146.0	120.6	410.5	411.2	469.9	44.4	406.40
450	711.2	628.5	34.9	24	60.3	533.4	88.9	158.7	130.2	461.8	462.3	533.4	49.2	457.20
500	774.7	685.8	34.9	24	63.5	587.4	95.2	161.9	139.7	513.1	514.3	584.2	54.0	508.00
600	914.4	812.8	41.3	24	69.8	701.7	106.4	168.3	152.4	615.9	615.9	692.1	63.5	609.60

Metric values are direct conversion from Inches table of B16.5



**FLANGES CLASS 600 & 900**

**DIMENSION OF CLASS 600 FLANGES AS PER B 16.5**

Nominal Pipe Size	Flange Dia O	Dia of Bolt Circle A	No. of Bolt Holes D	No. of Holes	Thk of Flange C	Dia of Hub E	Length through Hub			Dia Bore		Dia of R/F R	Depth of Socket F	Pipe Dia X
							S/O & S/W Y	W/N Y	L/J Y	S/O & S/W B	L/J B			
							Y	Y	Y	B	B			
15	95.2	66.7	15.9	4	14.3	38.1	22.2	52.4	22.3	22.3	28.8	34.9	9.5	21.33
20	117.5	82.5	19.0	4	15.9	47.6	25.4	57.1	25.4	27.7	28.1	42.9	11.1	26.67
25	123.8	88.9	19.0	4	17.5	54.0	27.0	61.9	26.9	34.5	35.0	50.8	12.7	33.40
32	133.3	98.4	19.0	4	20.6	63.5	28.6	66.7	28.4	43.2	43.6	63.5	14.2	42.16
40	155.6	114.3	22.2	4	22.2	69.8	31.7	69.8	31.7	49.5	50.0	73.0	15.8	48.26
50	165.1	127.0	19.0	8	25.4	84.1	36.5	73.0	36.5	62.0	62.4	92.1	17.4	60.31
65	190.5	149.2	22.2	8	28.6	100.0	41.3	79.4	41.1	74.7	75.4	104.8	19.0	73.02
80	209.5	168.3	22.2	8	31.8	117.5	46.0	82.5	45.9	90.7	91.4	127.0	-	88.90
100	273.0	215.9	25.4	8	38.1	152.4	54.0	101.6	53.8	116.1	116.8	157.2	-	114.30
125	330.2	266.7	28.6	8	44.4	188.9	60.3	114.3	60.4	143.8	141.5	185.7	-	141.30
150	355.6	292.1	28.6	12	47.6	222.2	66.7	117.5	66.5	170.7	171.4	215.9	-	168.27
200	419.1	349.2	31.7	12	55.6	273.0	76.2	133.3	76.2	221.5	222.2	269.9	-	219.07
250	508.0	431.8	34.9	16	63.5	342.9	85.7	152.4	111.2	276.3	277.3	323.8	-	273.05
300	558.8	488.9	34.9	20	66.7	400.0	92.1	155.6	117.3	327.1	328.1	381.0	-	323.85
350	603.2	527.0	38.1	20	69.9	431.8	93.7	165.1	127.0	359.1	360.1	412.7	-	355.60
400	685.8	603.2	41.3	20	76.2	495.3	106.4	177.8	139.7	410.5	411.2	469.9	-	406.40
450	742.9	654.0	44.4	20	82.6	546.1	117.5	184.1	152.4	461.8	462.2	533.4	-	457.20
500	812.8	723.9	44.4	24	88.9	609.6	127.0	190.5	165.1	513.1	514.3	584.2	-	508.00
600	939.8	838.2	50.8	24	101.6	717.5	139.7	203.2	184.1	615.9	615.9	692.1	-	609.60

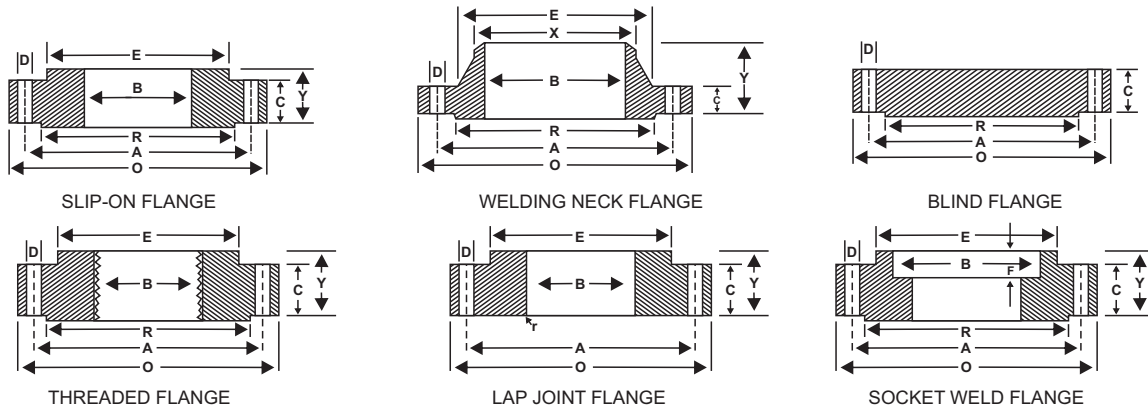
**DIMENSION OF CLASS 900 FLANGES AS PER B 16.5**

Nominal Pipe Size	Flange Dia O	Dia of Bolt Circle A	No. of Bolt Holes D	No. of Holes	Thk of Flange C	Dia of Hub E	Length through Hub			Dia Bore		Dia of R/F R	Depth of Socket F	Pipe Dia X
							S/O & S/W Y	W/N Y	L/J Y	S/O & S/W B	L/J B			
							Y	Y	Y	B	B			
15	120.6	82.5	22.2	4	22.2	38.1	31.7	60.3	31.7	22.3	22.8	34.9	9.5	21.33
20	130.2	88.9	22.2	4	25.4	44.4	34.9	69.8	35.0	27.7	28.1	42.9	11.1	26.67
25	149.2	101.6	25.4	4	28.6	52.4	41.3	73.0	41.1	34.5	35.0	50.8	12.7	33.40
32	158.7	111.1	25.4	4	28.6	63.5	41.3	73.0	41.1	43.2	43.6	63.5	14.2	42.16
40	177.8	123.8	28.6	4	31.8	69.8	44.4	82.5	44.4	49.5	50.0	73.0	15.8	48.26
50	215.9	165.1	25.4	8	38.1	104.8	57.1	101.6	57.1	62.0	62.4	92.1	17.4	60.31
65	244.5	190.5	28.6	8	41.3	123.8	63.5	104.8	63.5	74.7	75.4	104.8	19.0	73.02
80	241.3	190.5	25.4	8	38.1	127.0	53.9	101.6	53.8	90.7	91.4	127.0	-	88.90
100	292.1	234.9	31.7	8	44.4	158.7	69.8	114.3	69.8	116.0	116.8	157.1	-	114.30
125	349.2	279.4	35.0	8	50.8	190.5	79.3	127.0	79.2	143.7	144.5	185.7	-	141.30
150	381.0	317.5	31.7	12	55.6	234.9	85.8	139.7	85.8	170.6	171.4	215.9	-	168.27
200	469.9	393.7	38.1	12	63.5	298.4	101.6	162.0	114.3	221.4	222.2	269.8	-	219.07
250	546.1	469.9	38.1	16	69.8	368.3	107.9	184.1	127.0	276.3	277.3	323.8	-	273.05
300	609.6	533.4	38.1	20	79.3	419.1	117.4	200.0	142.7	327.1	328.1	381.0	-	323.85

Metric values are direct conversion from Inches table of B16.5





**FLANGES CLASS 1500 & 2500**

**DIMENSION OF CLASS 1500 FLANGES AS PER B 16.5**

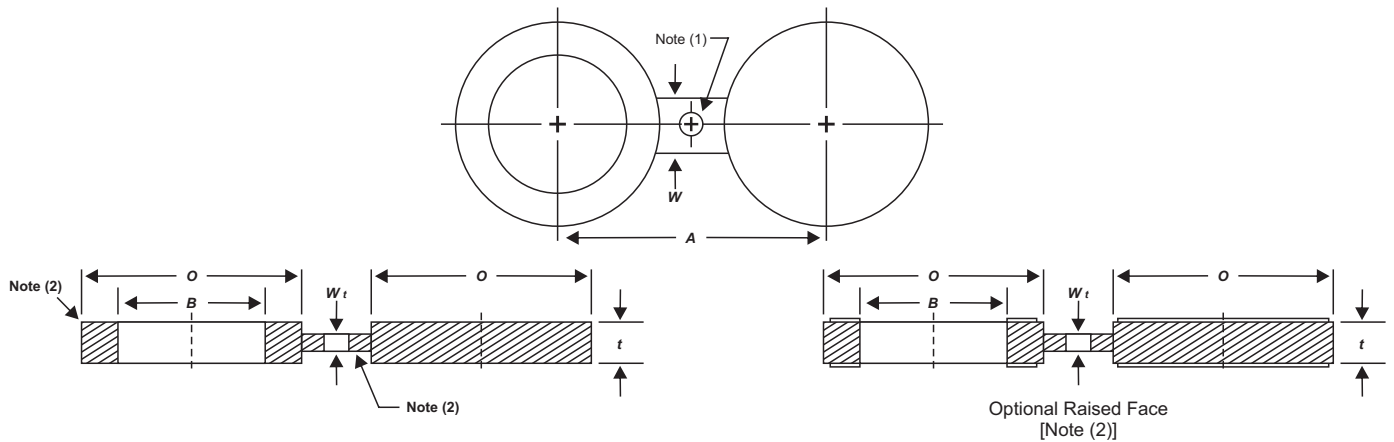
Nominal Pipe Size	Flange Dia O	Dia of Bolt Circle A	No. of Bolt Holes D	No. of Holes	Thk of Flange C	Dia of Hub E	Length through Hub			Dia Bore		Dia of R/F R	Depth of Socket F	Pipe Dia X
							S/O & S/W	W/N	L/J	S/O & S/W	L/J			
							Y	Y	Y	B	B			
15	120.6	82.5	22.2	4	22.2	38.1	31.7	60.3	31.7	22.3	22.8	34.9	9.5	21.33
20	130.2	88.9	22.2	4	25.4	44.4	34.9	69.8	34.9	27.7	28.1	42.9	11.1	26.67
25	149.2	101.6	25.4	4	28.6	52.4	41.3	73.0	41.3	34.5	35.0	50.8	12.7	33.40
32	158.7	111.1	25.4	4	28.6	63.5	41.3	73.0	41.3	43.2	43.6	63.5	14.2	42.16
40	177.8	123.8	28.6	4	31.8	69.8	44.4	82.5	44.4	49.5	50.0	73.0	15.8	48.26
50	215.9	165.1	25.4	8	38.1	104.8	57.1	101.6	57.1	62.0	62.0	92.1	17.4	60.31
65	244.5	190.5	28.6	8	41.3	123.8	63.5	104.8	63.5	74.7	75.4	104.8	19.0	73.02
80	266.7	203.2	31.7	8	47.6	133.3	73.0	117.5	73.0	90.7	91.4	127.0	-	88.90
100	311.1	241.3	34.9	8	54.0	161.9	90.5	123.0	90.4	116.1	116.8	157.2	-	114.30
125	374.6	292.1	41.3	8	73.0	196.8	104.8	155.6	104.8	143.8	144.5	185.7	-	141.30
150	393.7	317.5	38.1	12	82.6	228.6	119.1	171.4	119.1	170.7	171.4	215.9	-	168.27
200	482.6	393.7	44.4	12	92.1	292.1	142.9	212.7	142.8	221.5	222.2	269.9	-	219.07
250	584.2	482.6	50.8	12	107.9	368.3	158.7	254.0	177.8	276.3	277.3	323.8	-	273.05
300	673.1	571.5	54.0	16	123.8	450.8	181.0	285.5	218.9	327.1	328.1	381.0	-	323.85

**DIMENSION OF CLASS 2500 FLANGES AS PER B 16.5**

Nominal Pipe Size	Flange Dia O	Dia of Bolt Circle A	No. of Bolt Holes D	No. of Holes	Thk of Flange C	Dia of Hub E	Length through Hub			Dia Bore		Dia of R/F R	Depth of Socket F	Pipe Dia X
							S/O & S/W	W/N	L/J	S/O & S/W	L/J			
							Y	Y	Y	B	B			
15	133.3	88.9	22.2	4	30.2	42.9	39.7	73.0	39.7	22.3	22.3	34.9	-	21.33
20	139.7	95.2	22.2	4	31.7	50.8	42.9	79.4	42.9	27.7	27.7	42.9	-	26.67
25	158.7	107.9	25.4	4	34.9	57.1	47.7	88.9	47.7	34.5	34.5	50.8	-	33.40
32	184.1	130.2	28.6	4	38.1	73.0	52.4	95.2	52.4	43.2	43.2	63.5	-	42.16
40	203.2	146.0	31.7	4	44.4	79.4	60.3	111.1	60.3	49.5	49.5	73.0	-	48.26
50	234.9	171.4	28.6	8	50.8	95.2	69.8	127.0	69.8	62.4	62.4	92.1	-	60.31
65	266.7	196.8	31.7	8	57.1	114.3	79.4	142.9	79.4	74.7	74.7	104.8	-	73.02
80	304.8	228.6	34.9	8	66.7	133.3	92.1	168.3	92.1	90.7	90.7	127.0	-	88.90
100	355.6	273.0	41.3	8	76.2	165.1	107.9	190.5	107.9	116.1	116.1	157.2	-	114.30
125	419.1	323.8	47.6	8	92.1	203.2	130.0	228.6	130.0	143.8	143.8	185.7	-	141.30
150	482.6	368.3	54.0	8	107.9	234.9	152.4	273.0	152.4	170.7	170.7	215.9	-	168.27
200	552.4	438.1	54.0	12	127.0	304.8	177.8	317.5	177.8	221.5	221.5	269.9	-	219.07
250	673.1	539.7	66.7	12	165.1	374.6	228.6	419.1	228.6	276.3	276.3	323.8	-	273.05
300	762.0	619.1	73.0	12	184.1	441.3	254.0	463.5	254.0	327.1	327.1	381.0	-	323.85

Metric values are direct conversion from Inches table of B16.5



**SPECTACLE BLANKS / FIGURE 8 / SPACER & BLANKS (B16.48)**


CLASS 150					
NPS	Inside Diameter B	Outside Diameter O	Centerline Dimension A	Thickness t	Web Width W
1/2	0.62	1.75	2.38	0.12	1.50
3/4	0.82	2.12	2.75	0.12	1.50
1	1.05	2.50	3.12	0.12	1.50
1 1/4	1.66	2.88	3.50	0.25	1.50
1 1/2	1.90	3.25	3.88	0.25	1.50
2	2.38	4.00	4.75	0.25	2.00
2 1/2	2.88	4.75	5.50	0.25	2.00
3	3.50	5.25	6.00	0.25	2.50
3 1/2	4.00	6.25	7.00	0.38	2.50
4	4.50	6.75	7.50	0.38	2.50
5	5.56	7.62	8.50	0.38	3.00
6	6.62	8.62	9.50	0.50	3.00
8	8.62	10.88	11.75	0.50	3.00
10	10.75	13.25	14.25	0.62	4.00
12	12.75	16.00	17.00	0.75	4.00
14	14.00	17.62	18.75	0.75	4.25
16	16.00	20.12	21.25	0.88	4.25
18	18.00	21.50	22.75	1.00	4.50
20	20.00	23.75	25.00	1.12	4.75
24	24.00	28.12	29.50	1.25	5.50

CLASS 300					
NPS	Inside Diameter B	Outside Diameter O	Centerline Dimension A	Thickness t	Web Width W
1/2	0.62	2.00	2.62	0.25	1.50
3/4	0.82	2.50	3.25	0.25	1.50
1	1.05	2.75	3.50	0.25	1.50
1 1/4	1.66	3.12	3.88	0.25	1.50
1 1/2	1.90	3.62	4.50	0.25	1.50
2	2.38	4.25	5.00	0.38	2.00
2 1/2	2.88	5.00	5.88	0.38	2.00
3	3.50	5.75	6.62	0.38	2.50
3 1/2	4.00	6.38	7.25	0.50	2.50
4	4.50	7.00	7.88	0.50	2.50
5	5.56	8.38	9.25	0.62	3.00
6	6.62	9.75	10.62	0.62	3.00
8	8.62	12.00	13.00	0.88	3.00
10	10.75	14.12	15.25	1.00	4.00
12	12.75	16.50	17.75	1.12	4.00
14	14.00	19.00	20.25	1.25	4.25
16	16.00	21.12	22.50	1.50	4.25
18	18.00	23.38	24.75	1.62	4.50
20	20.00	25.62	27.00	1.75	4.75
24	24.00	30.38	32.00	2.00	5.50

CLASS 600					
NPS	Inside Diameter B	Outside Diameter O	Centerline Dimension A	Thickness t	Web Width W
1/2	0.62	2.00	2.62	0.25	1.50
3/4	0.82	2.50	3.25	0.25	1.50
1	1.05	2.75	3.50	0.25	2.25
1 1/4	1.44	3.12	3.88	0.38	2.25
1 1/2	1.68	3.62	4.50	0.38	2.62
2	2.16	4.25	5.00	0.38	2.25
2 1/2	2.64	5.00	5.88	0.50	2.62
3	3.26	5.75	6.62	0.50	2.62
3 1/2	3.76	6.25	7.25	0.62	3.00
4	4.26	7.50	8.50	0.62	3.00
5	5.30	9.38	10.50	0.75	3.38
6	6.36	10.38	11.50	0.88	3.38
8	8.33	12.50	13.75	1.12	3.75
10	10.42	15.62	17.00	1.38	4.12
12	12.39	17.88	19.25	1.62	4.12
14	13.62	19.25	20.75	1.75	4.50
16	15.62	22.12	23.75	2.00	4.88
18	17.62	24.00	25.75	2.12	5.25
20	19.56	26.75	28.50	2.50	5.25
24	23.50	31.00	33.00	2.88	6.00

CLASS 900					
NPS	Inside Diameter B	Outside Diameter O	Centerline Dimension A	Thickness t	Web Width W
1/2	0.62	2.38	3.25	0.25	1.50
3/4	0.82	2.62	3.50	0.25	1.50
1	1.05	3.00	4.00	0.25	2.25
1 1/4	1.44	3.38	4.38	0.38	2.25
1 1/2	1.68	3.75	4.88	0.38	2.62
2	2.16	5.50	6.50	0.50	2.25
2 1/2	2.64	6.38	7.50	0.50	2.62
3	3.26	6.50	7.50	0.62	2.62
4	4.26	8.00	9.25	0.75	3.00
5	5.30	9.62	11.00	0.88	3.38
6	6.36	11.25	12.50	1.00	3.38
8	8.33	14.00	15.50	1.38	3.75
10	10.42	17.00	18.50	1.62	4.12
12	12.39	19.50	21.00	1.88	4.12
14	13.62	20.38	22.00	2.12	4.50
16	15.62	22.50	24.25	2.38	4.88
18	17.62	25.00	27.00	1.75	5.25
20	19.56	27.38	29.50	2.00	5.25
24	23.50	32.88	35.50	2.12	6.00

- NOTES:**
- Hole size (where required due to bolt spacing) shall be the same as the flange bolt hole and located such that it will not interfere with bolting between two flanges.
  - Optional raised face to be mentioned by purchaser.
  - The handle or web (tie bar) may be integral or attached to the line blank or spacer.
  - The thickness of the web (or tie bar) dimension, Wt, shall be as determined as it shall be capable of supporting the weight of the blank or spacer in all orientation without permanent deformation of web.

**Dimension of other Classes & RTJ Flanges on request**





### Flanges Types & Specifications

ASME/ANSI B16.5	:	Welding Neck Flange, Slipon Flanges, Blind Flange, High Hub Blind Flange, Socket Weld Flange, Lap Joint Flange, Threaded Flange, Ring Type Joint Flange
Pressure Class	:	150, 300, 400, 600, 900, 1500, 2500
ASME/ANSI/B16.47	:	Welding neck Flange, Blind Flange (Series A&B)
Pressure Class	:	75, 150, 300, 400, 600, 900
ASME/ANSI B16.36	:	(Orifice Flanges) Welding Neck Flange, Slipon Flange, Threaded Flange
Pressure Class	:	300, 400, 600, 900, 1500, 2500
BS 4504 SEC 3.1	:	Welding Flange (111/134), Hubbed Slipon Flange (112), Hubbed Threaded Flange (113), Lapped Pipe End Flange (133), Plate Flange (101), Loose Plate Flange (102), Loose Plate with Weld-neck Flange (104), Blank Flange (105)
Pressure Class	:	Pn 2.5 to Pn 100
Din Flanges	:	DIN2527, DIN2566, DIN2573, DIN2576, DIN2641, DIN2642, DIN2655, DIN2656, DIN2627, DIN2628, DIN2629, DIN2631, DIN2632, DIN2633, DIN2634, DIN2635, DIN2636, DIN2637, DIN2638, Dn2673
Pressure Class	:	Pn 6 to Pn 100
ANFOR NFE 29-230	:	Plate Flange (01), Loose Plate Flange (02, 03, 04) Blind Flange (05) Welding Neck Flange (11), Hubbed Slip on Flange (12), Screwed Flange (13), Hubbed Socket Welding Flange (14), Loose Hubbed Flange (15), Integral Flange (21)
Pressure Class	:	Pn 2.5 to Pn 40
PR EN 1092-1 Flanges	:	Plate Flange (01), Loose Plate Flange (02,04), Blind Flange (05), Welding Neck Flange (11), Hubbed Slip on Flange (12), Screwed Flange (13), Integral Flange (21)
Pressure Class	:	Pn 2.5 to Pn 100
BS TABLE FLANGES	:	Slipon & Blind
Type	:	D, E, F, H etc.

All the above Dimensions are Available on request.



# Forged Fittings

Threaded Fittings, Socketweld Fittings, 90 Deg Threaded Elbow, 45 Deg Threaded Elbow, Threaded Equal Tee, Threaded Unequal Tee, Threaded Equal Cross, Threaded Unequal Cross, Threaded Pipe Cap, Threaded Union, Threaded Full Coupling, Threaded Half Coupling, Threaded Reducing Coupling, Hex Nipple, Hex Head Plug, Square Head Plug, Hex Head Bushing, Swage Nipple, 90 Deg Socket weld Elbow, 45 Deg Socket weld Elbow, Socket weld Equal Tee, Socket weld Unequal Tee, Socket weld Equal Cross, Socket weld Unequal Cross, Socket weld Pipe Cap, Socket weld Union, Socket weld Full Coupling, Socket weld Half Coupling, Socket weld Reducing Coupling, etc.

**Pressure Class:** 2000#, 3000#, 6000#, 9000#

**Sizes:** 1/8 and 4 inches

**Stainless Steel:** ASTM A182 F304/ F304L/ F304H/ F309S/ F309H/ F310S/ F310H/ F316/ F316Ti/ F316H/ F316L/ F317/ F317L/ F321/ F321H/ F347/ F347H/ F904L.

**Carbon Steel:** ASTM A105/A694/ A350 LF3/A350 LF2

**Alloy Steel:** ASTM A182 F1/ F5/ F9/ F11/ F22/ F91

**High Nickel Alloy:**

**Inconel:** 600 /601 /625 /800 /825 /718

**Hastelloy:** C4 /C22 /C276 /B2 /B3

**Nickel:** 200/201

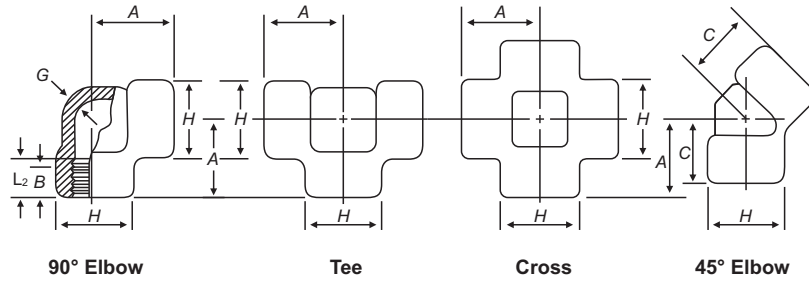
**Cupro-Nickel:** 70/30, 90/10, 95/5

**Duplex Steel:** S31803 / S32205

**Super Duplex Steel:** S32750 S32760

**Titanium:** 1 /2 /3 /4 /5 /7

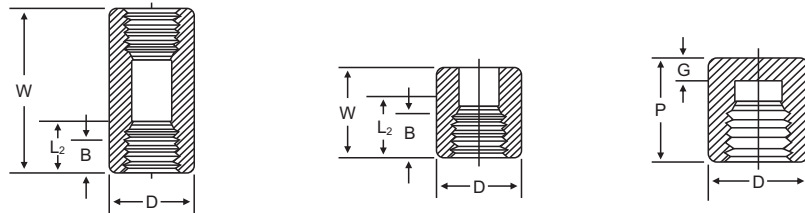


**FORGED THREADED FITTINGS**


Nominal Pipe Size	Center to End Elbows, Tees, Crosses A			Center to End 45° Elbow C			Outside Diameter of Bend H			Minimum Wall Thickness G			Length of Thread Min (1)	
	2000	3000	6000	2000	3000	6000	2000	3000	6000	2000	3000	6000	B	L <sub>2</sub>
1/8	0.81	0.81	0.97	0.69	0.69	0.75	0.88	0.88	1.00	0.125	0.125	0.250	0.25	0.2639
1/4	0.81	0.97	1.12	0.69	0.75	0.88	0.88	1.00	1.31	0.125	0.130	0.260	0.32	0.4018
3/8	0.97	1.12	1.31	0.75	0.88	1.00	1.00	1.31	1.50	0.125	0.138	0.275	0.36	0.4078
1/2	1.12	1.31	1.50	0.88	1.00	1.12	1.31	1.50	1.81	0.125	0.161	0.321	0.43	0.5337
3/4	1.31	1.50	1.75	1.00	1.12	1.31	1.50	1.81	2.19	0.125	0.170	0.336	0.50	0.5457
1	1.50	1.75	2.00	1.12	1.31	1.38	1.81	2.19	2.44	0.145	0.196	0.391	0.58	0.6828
1 1/4	1.75	2.00	2.38	1.31	1.38	1.69	2.19	2.44	2.97	0.153	0.208	0.417	0.67	0.7068
1 1/2	2.00	2.38	2.50	1.38	1.69	1.72	2.44	2.97	3.31	0.158	0.219	0.436	0.70	0.7235
2	2.38	2.50	3.25	1.69	1.72	2.06	2.97	3.31	4.00	0.168	0.281	0.476	0.75	0.7565
2 1/2	3.00	3.25	3.75	2.06	2.06	2.50	3.62	4.00	4.75	0.221	0.301	0.602	0.93	1.138
3	3.38	3.75	4.19	2.50	2.50	3.12	4.31	4.75	5.75	0.236	0.348	0.655	1.02	1.200
4	4.19	4.50	4.50	3.12	3.12	3.12	5.75	6.00	6.00	0.258	0.440	0.735	1.09	1.300

**General Note:** Dimension are in inches

**NOTE:** Dimension B is minimum length of perfect thread. The length of useful thread (B plus threads with fully formed roots and flat crests) shall not be less than L<sub>2</sub> (effective length of external thread) requires by American National Standard for Pipe Threads (ANSI/ASME B1.20.1).

**COUPLING & CAPS**

**Coupling**
**Half-Coupling**
**Cap**
**B16.11**

Nominal Pipe Size	End to End Couplings W	End to End Caps P		Outside Diameter D		End Wall Thickness G Min.		Length of Thread Min (2)	
	3000 & 6000	3000	6000	3000	6000	3000	6000	B	L <sub>2</sub>
1/8	1.25	0.75	-	0.62	0.88	0.19	-	0.25	0.2639
1/4	1.38	1.00	1.06	0.75	1.00	0.19	0.25	0.32	0.4018
3/8	1.50	1.00	1.06	0.88	1.25	0.19	0.25	0.36	0.4078
1/2	1.88	1.25	1.31	1.12	1.50	0.25	0.31	0.43	0.5337
3/4	2.00	1.44	1.50	1.38	1.75	0.25	0.31	0.50	0.5457
1	2.38	1.62	1.69	1.75	2.25	0.38	0.44	0.58	0.6828
1 1/4	2.62	1.75	1.81	2.25	2.50	0.38	0.44	0.67	0.7068
1 1/2	3.12	1.75	1.88	2.50	3.00	0.44	0.50	0.70	0.7235
2	3.38	1.88	2.00	3.00	3.62	0.50	0.62	0.75	0.7565
2 1/2	3.62	2.38	2.50	3.62	4.25	0.62	0.75	0.93	1.138
3	4.25	2.56	2.6	4.25	5.00	0.75	0.88	1.02	1.200
4	4.75	2.69	2.94	5.50	6.25	0.88	1.12	1.09	1.300

**General Note:** Dimension are in inches

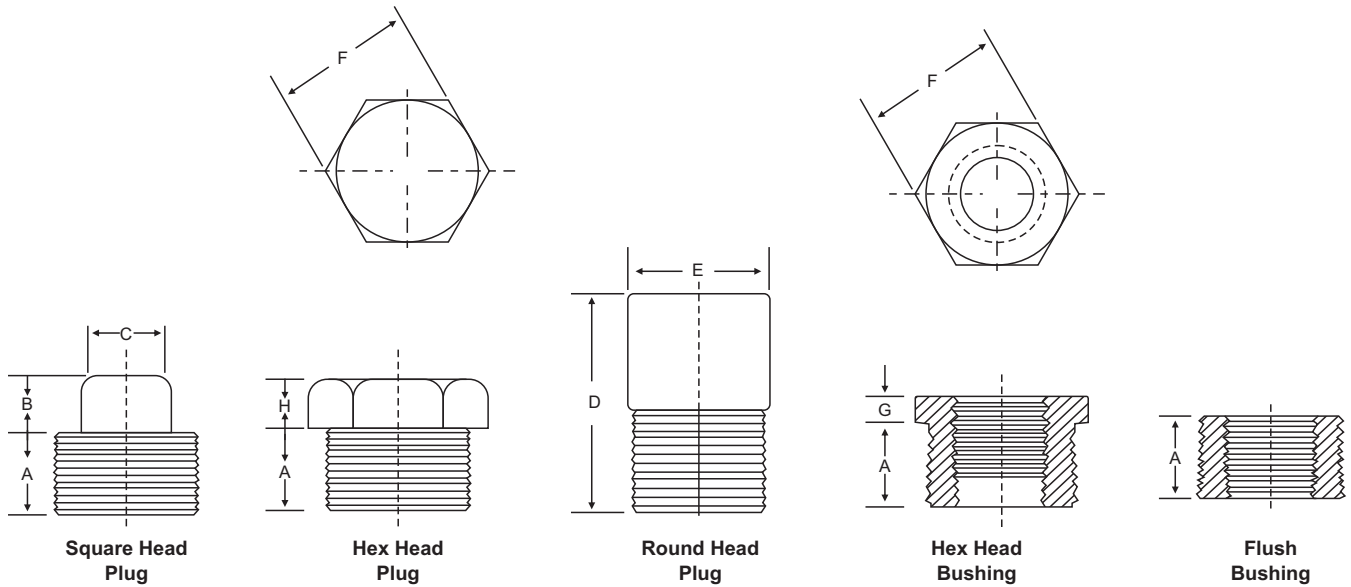
**NOTES:** 1) Class 2000 and NPS 1/8 Class 6000 couplings, half couplings, and caps are not included in this Standard.

2) Dimension B is minimum length of perfect thread. The length of useful thread (B plus threads with fully formed roots and flat crests) shall not be less than L<sub>2</sub> (effective length of external thread) requires by American National Standard for Pipe Threads (ANSI/ASME B1.20.1).

**DIMENSION OF STREET ELBOW & WELDING BOSS ON REQUEST**




## PLUGS AND BUSHING



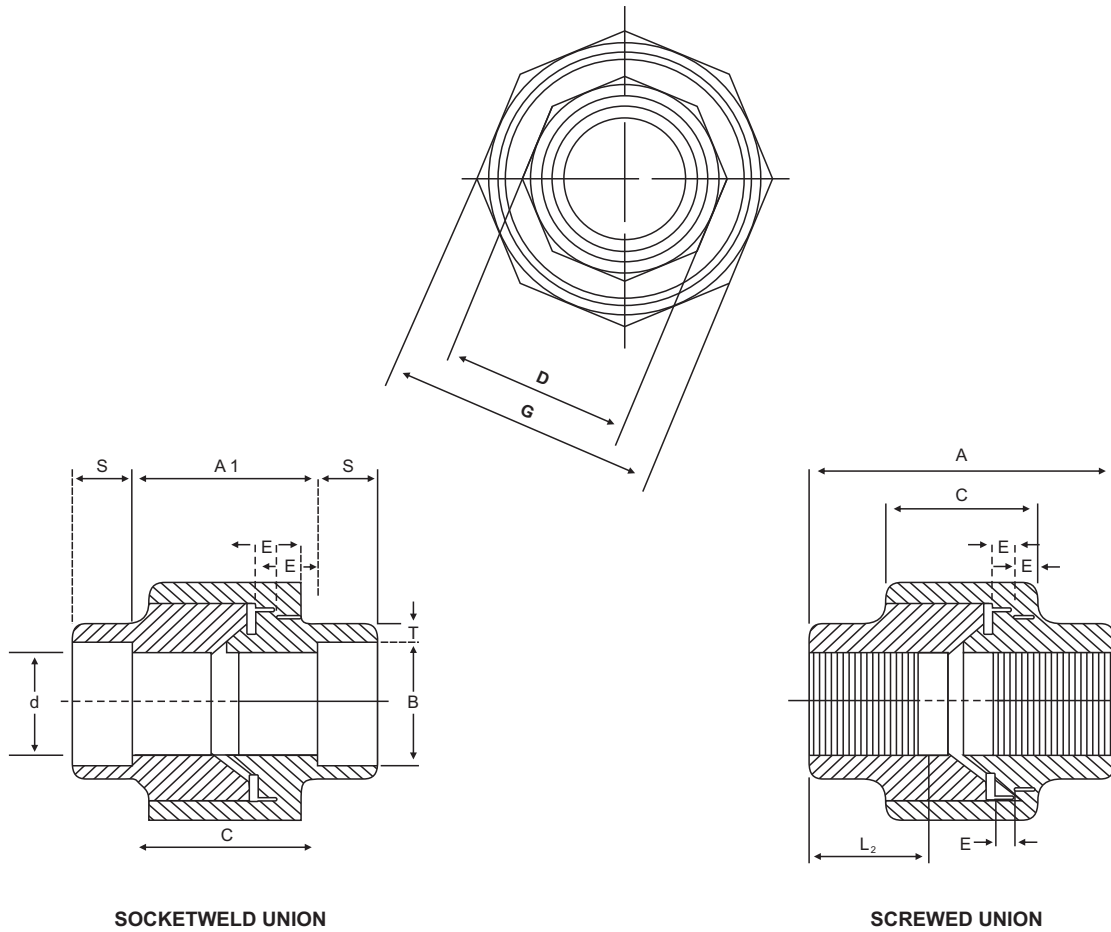
B16.11

Nominal Pipe Size	Length (Minimum) A	Plugs Square Head		Plugs Round Head		Hex Plugs & Bushing		
		Height of Square (Minimum) B	Width Flats (Minimum) C	Nominal Diameter of Head E	Length (Minimum) D	Width Flats (Nominal) F	Hex height (Min.)	
							Bushing G	Plug H
1/8	0.38	0.25	0.28	0.41	1.38	0.44	-	0.25
1/4	0.44	0.25	0.38	0.53	1.62	0.62	0.12	0.25
3/8	0.50	0.31	0.44	0.69	1.62	0.69	0.16	0.31
1/2	0.56	0.38	0.56	0.84	1.75	0.88	0.19	0.31
3/4	0.62	0.44	0.62	1.06	1.75	1.06	0.22	0.38
1	0.75	0.50	0.81	1.31	2.00	1.38	0.25	0.38
1 1/4	0.81	0.56	0.94	1.69	2.00	1.75	0.28	0.56
1 1/2	0.81	0.62	1.12	1.91	2.00	2.00	0.31	0.62
2	0.88	0.69	1.31	2.38	2.50	2.50	0.34	0.69
2 1/2	1.06	0.75	1.50	2.88	2.75	3.00	0.38	0.75
3	1.12	0.81	1.69	3.50	2.75	3.50	0.41	0.81
4	1.25	1.00	2.50	4.50	3.00	4.62	0.50	1.00

**General Note:** Dimension are in inches

**NOTE:** Cautionary Note Regarding Hex Head Bushing. Hex Head Bushings of one-size reduction not be used in services wherein they might be subject to harmful loads and forces other than internal pressures.



**SOCKETWELD & SCREWED UNION**

**SOCKETWELD UNION**
**SCREWED UNION**
**BS 3799**

Nominal Size		3000 lbs.									Depth of Socket (min.)	Socket Wall Thickness (min.)
		End to End	Width Union nut (min.)	Height of Union nut (min.)	Width A/F of ends (min.)	Thickness of shoulder (min.)	Length of thread (min.)	Distance between bottoms of Socket (min)	Bore diameter of Sockets (min.)	Bore diameter of Union		
Inches	mm	A	G	C	D	E	L <sub>2</sub>	A1	B	d	S	T
1/8	(6)	40	32	16	17	3.2	6.70	17	10.7	6.8	10	3.2
1/4	(8)	43	32	18	19	3.2	10.21	17	14.1	9.2	10	3.3
3/8	(10)	48	36	19	22	3.2	10.36	17	17.6	12.5	10	3.5
1/2	(15)	51	43	21	30	4.0	13.56	18	21.8	15.5	10	4.1
3/4	(20)	57	50	24	36	4.8	13.86	20	27.4	21.0	13	4.3
1	(25)	64	60	25	41	4.8	17.34	26	34.1	26.5	13	5.0
1 1/4	(32)	70	70	29	50	5.6	17.93	28	42.9	35.0	13	5.3
1 1/2	(40)	79	78	30	60	5.6	18.38	30	49.0	40.5	13	5.6
2	(50)	89	95	37	70	6.4	19.22	36	61.0	52.0	16	6.1
2 1/2	(65)	118	125	48	85	9.6	28.89	57	73.8	62.0	16	7.7
3	(80)	121	140	51	100	12.7	30.48	70	89.7	78.0	16	8.3

**All Dimension are in millimeters (mm)**
**NOTE:** Other external forms of nut & ends are permissible provided the minimum dimensions shown in this table are maintained.  
 Bore diameter of Sockets corresponds to schedule 40 pipe, subject to tolerance.




# Outlets/ Olets

**Types of Outlets:** Weldolet, Thredolet, Sockolet, Elbolet, Insert Weldolet, Brazolet, Coupolet, Nipolet, Flexolet, Latrolet, Sweepolet.

**Size:** 1/8"NB TO 4"NB (DN6 x DN100)

**Class:** 3000 LBS, 6000 LBS & 9000 LBS (Sch40, Sch80/Xs Sch160 Xxs)

**Standards:** ASME/ANSI B16.11, MSS-SP-97, MSS-SP-79, JIS B2316, BS 3799, etc.

**Connect Type:** Welded, threaded, BW, SW

**Stainless steel:** ASTM A182 F304, F304L, F316, F316L, F317L, F321, F321H, F347, F347H, F310, F904L, etc.

**Carbon Steel:** ASTM A105, ASTM A350 LF1/2, ASTM A181

**Alloy Steel:** ASTM A182F1 /F2 /F5 /F7 /F9 /F11 /F12 /F22

**Duplex Steel:** S31803 / S32205

**Super Duplex Steel:** S32750 S32760

**Titanium:** 1 /2 /3 /4 /5 /7

## High Nickel Alloy:

**Monel:** ASTM / ASME SB 564 400 /K500

**Inconel:** 600 /601 /625 /800 /825 /718

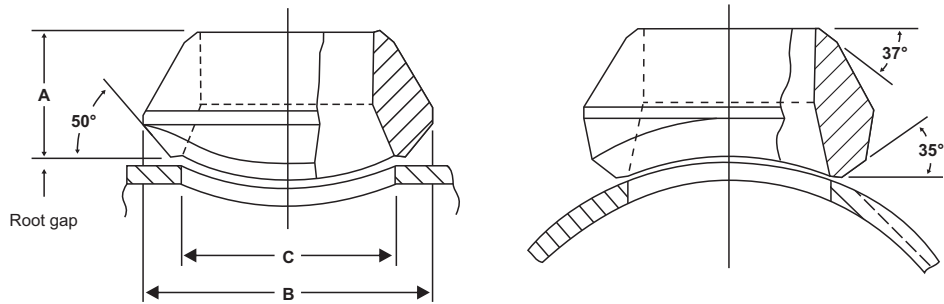
**Hastelloy:** C4 /C22 /C276 /B2 /B3

**Nickel:** 200/201

**Cupro-Nickel:** 70/30, 90/10, 95/5



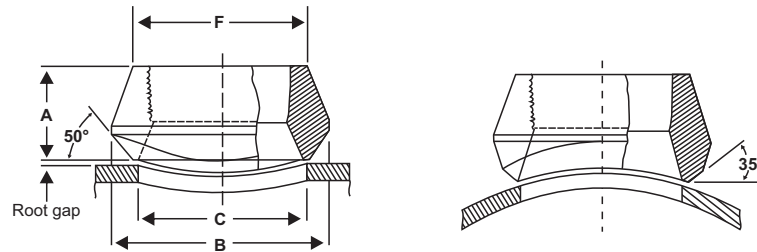
**Welding Outlet**  
**STD(Sch40), XS(Sch 80)**



**MSS SP 97**

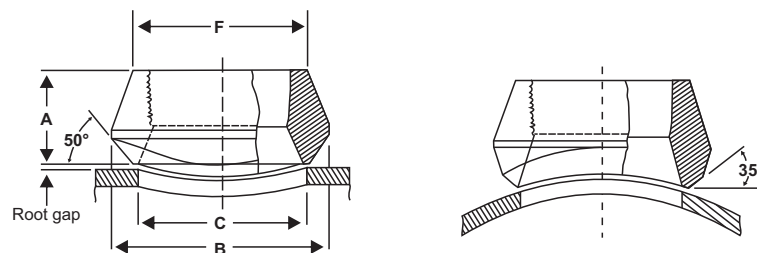
Outlet Size	A		B		C	
	3000#	6000#	3000#	6000#	3000#	6000#
1/2	19.1	19.1	34.9	34.9	23.8	23.8
3/4	22.2	22.2	44.5	44.5	30.2	30.2
1	27.0	27.0	54.0	54.0	36.5	36.5
1 1/4	31.8	31.8	65.1	65.1	44.5	44.5
1 1/2	33.3	33.3	73.0	73.0	50.8	50.8
2	38.1	38.1	88.9	88.9	65.1	65.1
2 1/2	41.3	41.3	103.2	103.2	76.2	76.2
3	44.5	44.5	122.2	122.2	93.7	93.7
4	50.8	50.8	152.4	152.4	120.7	120.7
5	57.2	57.2	179.4	179.4	141.3	141.3
6	60.3	77.8	215.9	225.4	169.3	169.3
8	69.9	98.5	263.5	292.1	220.7	220.7
10	77.8	93.7	322.3	323.9	274.7	265.1
12	85.7	103.2	377.8	379.4	325.4	317.5
14	88.9	100.0	409.6	431.8	357.2	350.8
16	93.7	106.4	463.6	466.7	408.0	403.2
18	96.8	111.1	520.7	523.9	458.8	455.6
20	101.6	119.1	571.5	582.6	508.0	509.6
24	115.9	139.7	689.0	708.0	614.4	638.2
26	119.1	146.1	738.2	765.2	666.8	692.2

All Dimensions are in millimeters (mm)

**Socketweld Outlet  
3000# 6000#**

**MSS SP 97**

Outlet Size	A		B		C	
	3000#	6000#	3000#	6000#	3000#	6000#
1/2	25.4	31.8	34.9	44.5	23.8	19.1
3/4	27.0	36.5	44.5	50.8	30.2	25.4
1	33.3	39.7	54.0	61.9	36.5	33.3
1 1/4	33.3	41.3	65.1	69.9	44.5	38.1
1 1/2	34.9	42.9	73.0	82.6	50.8	49.2
2	38.1	58.7	88.9	103.2	65.1	58.7
2 1/2	46.0	-	103.2	-	76.2	-
3	50.8	-	122.2	-	93.7	-
4	57.2	-	152.4	-	120.7	-

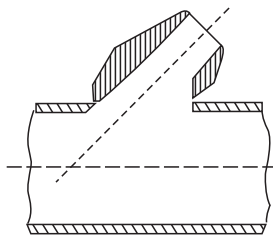
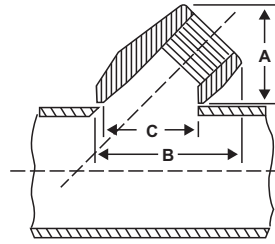
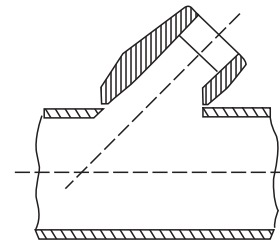
All Dimensions are in millimeters (mm)

**Threaded Outlet  
3000# 6000#**

**MSS SP 97**

Outlet Size	A		B		C	
	3000#	6000#	3000#	6000#	3000#	6000#
1/2	25.4	31.8	34.9	44.5	23.8	19.1
3/4	27.0	36.5	44.5	50.8	30.2	25.4
1	33.3	39.7	54.0	61.9	36.5	33.3
1 1/4	33.3	41.3	65.1	69.9	44.5	38.1
1 1/2	34.9	42.9	73.0	82.6	50.8	49.2
2	38.1	52.4	88.9	103.2	65.1	69.9
2 1/2	46.0	-	103.2	-	76.2	-
3	50.8	-	122.2	-	93.7	-
4	57.2	-	152.4	-	120.7	-

All Dimensions are in millimeters (mm)



**LATERAL OUTLETS**

**BUTT WELD**

**THREADED**

**SOCKET - WELD**
**MSS SP 97**

Nominal Run Pipe Size Inches	Outlet Size Inches	DIMENSIONS					
		3000 # Threaded and Socket Weld Std. and XS Butt-Weld			6000 # Threaded and Socket Weld Sch. 160 and XXS Butt-Weld		
		A	B	C	A	B	C
2 1/2 - 1 1/4 12 - 3	1/4	1 9/16	2 5/16	1 7/16	1 9/16	2 5/16	1 7/16
2 1/2 - 1 1/4 12 - 3	3/8	1 9/16	2 5/16	1 7/16	1 9/16	2 5/16	1 7/16
2 1/2 - 1 1/4 12 - 3	1/2	1 9/16	2 5/16	1 7/16			
1 1/2 - 1 1/4 5 - 2 12 - 6	1/2				1 13/16	2 3/4	1 3/4
1 1/2 - 1 1/4 5 - 2 12 - 6	3/4	1 13/16	2 3/4	1 3/4			
2 1/2 - 2 5 - 3 12 - 6	3/4				2 1/8	3 1/4	2 1/8
2 1/2 - 2 5 - 3 12 - 6	1	2 1/8	3 1/4	2 1/8	2 1/2	3 13/16	2 5/8
2 1/2 - 2 5 - 3 12 - 6	1 1/4	2 1/2	3 13/16	2 5/8	2 3/4	4 1/4	3
2 1/2 - 2 5 - 3 12 - 6	1 1/2	2 3/4	4 1/4	3			
5 - 4 8 - 6 12 - 10	1 1/2				3 3/8	5 3/8	4 1/8
5 - 4 8 - 6 12 - 10	2	3 3/8	5 3/8	4 1/8			
<b>ORDER TO SPECIFIC RUN PIPE SIZE</b>	** 2 1/2	3 1/2	5 1/4	4 3/16			
	** 3	3 13/16	6 1/4	4 15/16			
	** 4	4 3/4	7 7/8	6 7/16			
	** 6	6 1/2	10 11/16	9			
	** 8	8	14 1/4	12 5/16			
	** 10	10	10 11/16	15 3/8			
	** 12	12 3/8	11 9/16	18 3/8			

All Dimensions are in Inches

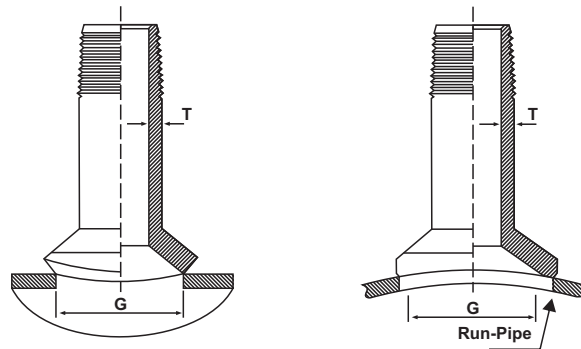


## NIPPLE OUTLETS

(in millimeters)

Run-Pipe Size	Outlet Size	Wall-T	G	Unit Weight (kg)
36-3/4	1/2	7.3	23.9	0.36
36-1	3/4	7.9	30.2	0.56
36-1 1/4	1	8.9	36.6	0.84
36-1 1/2	1 1/4	9.7	44.5	1.22
36-2	1 1/2	10.2	50.8	2.00
36-2 1/2	2	11.2	65.0	3.12

All Dimensions are in millimeters (mm)



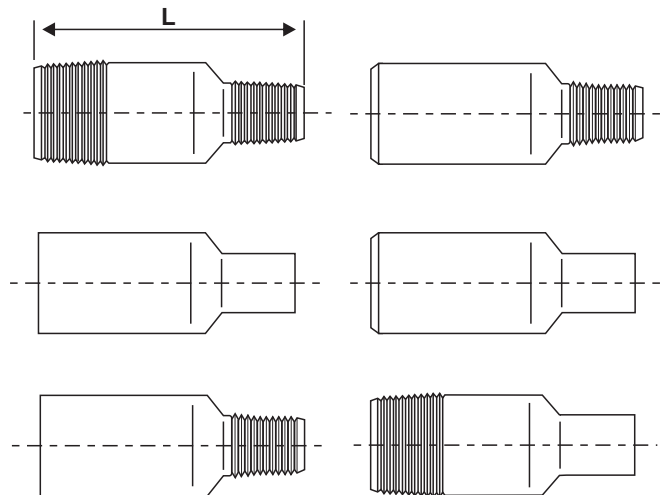
**MSS SP-97**

## Swaged Nipple

(in millimeters)

Large end Size	Small and Size	Length-L
1/2	3/8-1/8	70
3/4	1/2-1/8	76
1	3/4-1/8	89
1 1/4	1-1/8	102
1 1/2	1 1/4-1/8	114
2	1 1/2-1/8	165
2 1/2	2-1/8	178
3	2 1/2-1/8	203
3 1/2	3-1/8	203
4	3 1/2-1/8	229

All Dimensions are in millimeters (mm)



**MSS SP- 95 / BS 3799**

TBE Threaded both end

PBE plain both end

PLE/TSE Plain large end-Threaded small end

BLE/TSE Beveled large end-Threaded small end

BLE/PSE Beveled large end-Plain small end

TLE/PSE Threaded large end-Plain small end

**Dimension of Elbow Outlet & Swept Outlet on Request**



# Pipes

**Size:** 1/8"NB TO 30"NB IN

**Schedule:** SCH20, SCH30, SCH40, STD, SCH80, XS, SCH60, SCH80, SCH120, SCH140, SCH160, XXS

**Type:** Seamless / ERW / Welded / Fabricated / LSAW Pipes

**Form:** Round, Square, Rectangular, Hydraulic Etc.

**Length:** Single Random, Double Random & Cut Length.

**End:** Plain End, Beveled End, Threaded

**Stainless Steel:** ASTM A312 304/ 304L/ 304H/ 316/ 316L/ 317/ 317L/ 321/ 310/ 347/ 904L/ etc.

**Carbon Steel:** ASTM A53/ ASTM A106/ API5L / API-5L Gr X60/ API-5L Gr X65PSL1 / PSL2/ ASTM A333, etc.

**Alloy Steel:** ASTM A335 P1/ P5/ P9/ P11/ P22/ P91/ etc.

## High Nickel Alloy:

**Inconel:** 600 /601 /625 /800 /825 /718

**Hastelloy:** C4 /C22 /C276 /B2 /B3

**Nickel:** 200/201

**Cupro-Nickel:** 70/30, 90/10, 95/5

**Duplex Steel:** S31803 / S32205

**Super Duplex Steel:** S32750 S32760

**Titanium:** 1/2 /3 /4 /5 /7



**STAINLESS STEEL PIPE DIMENSION & WEIGHT - KG. PER MTR. (ANSI B36.19)**

Nominal Bore		Outside Diameter	Schedule 5S		Schedule 10S		Schedule 40S		Schedule 80S		Schedule 160S		Schedule XXS	
mm	INCH	mm	Wt mm	Weight (Kg/mt)	Wt mm	Weight (Kg/mt)	Wt mm	Weight (Kg/mt)	Wt mm	Weight (Kg/mt)	Wt mm	Weight (Kg/mt)	Wt mm	Weight (Kg/mt)
3	1/8	10.3	1.24	0.276	1.24	0.28	1.73	0.37	2.41	0.47	-	-	-	-
6	1/4	13.7	1.24	0.390	1.65	0.49	2.24	0.631	3.02	0.80	-	-	-	-
10	3/8	17.1	1.24	0.490	1.65	0.63	2.31	0.845	3.20	1.10	-	-	-	-
15	1/2	21.3	1.65	0.800	2.11	1.00	2.77	1.27	3.75	1.62	4.75	1.94	7.47	2.55
20	3/4	26.7	1.65	1.03	2.11	1.28	2.87	1.68	3.91	2.20	5.54	2.89	7.82	3.63
25	1	33.4	1.65	1.30	2.77	2.09	3.38	2.50	4.55	3.24	6.35	4.24	9.09	5.45
32	1 1/4	42.2	1.65	1.65	2.77	2.70	3.56	3.38	4.85	4.47	6.35	5.61	9.70	7.77
40	1 1/2	48.3	1.65	1.91	2.77	3.11	3.68	4.05	5.08	5.41	7.14	7.25	10.16	9.54
50	2	60.3	1.65	2.40	2.77	3.93	3.91	5.44	5.54	7.48	8.74	11.1	11.07	13.44
65	2 1/2	73.0	2.11	3.69	3.05	5.26	5.16	8.63	7.01	11.4	9.53	14.9	14.2	20.39
80	3	88.9	2.11	4.51	3.05	6.45	5.49	11.30	7.62	15.2	11.1	21.3	15.24	27.65
100	4	114.3	2.11	5.84	3.05	8.36	6.02	16.07	8.56	22.3	13.49	33.54	17.12	41.03
125	5	141.3	2.77	9.47	3.40	11.57	6.55	21.8	9.53	31.97	15.88	49.11	19.05	57.43
150	6	168.3	2.77	11.32	3.40	13.84	7.11	28.3	10.97	42.7	18.2	67.56	21.95	79.22
200	8	219.1	2.77	14.79	3.76	19.96	8.18	42.6	12.7	64.6	23.0	111.2	22.23	107.8
250	10	273.1	3.40	22.63	4.19	27.78	9.27	60.5	12.7	96.0	28.6	172.4	25.40	155.15
300	12	323.9	3.96	31.25	4.57	36.00	9.52	73.88	12.7	132.0	33.32	238.76	25.40	186.97
350	14	355.6	3.96	34.36	4.78	41.3	11.13	94.59	19.05	158.08	35.71	281.70	-	-
400	16	406.4	4.19	41.56	4.78	47.29	12.7	123.30	21.41	203.33	40.46	365.11	-	-
450	18	457.2	4.19	46.80	4.78	53.42	14.27	155.80	23.8	254.36	45.71	466.40	-	-
500	20	508.0	4.78	59.25	5.54	68.71	15.09	183.42	26.19	311.2	49.99	564.68	-	-
600	24	609.6	5.54	82.47	6.35	94.45	17.48	255.41	30.96	442.08	59.54	808.22	-	-

**CARBON STEEL SEAMLESS PIPE DIMENSION & WEIGHT - KG. PER MTR. (ANSI B36.10)**

Nominal Pipe Bore	O/D	Schedule 10		Schedule 20		Schedule 30		Schedule STD		Schedule 40		Schedule 60		Schedule Extra Strong (XS)		Schedule 80		Schedule 100		Schedule 120		Schedule 140		Schedule 160		Schedule Double Extra Strong (XXS)			
mm	inch	mm	kg/m	mm	kg/m	mm	kg/m	Wall	wt.	Wall	wt.	Wall	wt.	Wall	wt.	Wall	wt.	Wall	wt.	Wall	wt.	Wall	wt.	Wall	wt.	Wall	wt.		
3	1/8	10.3						1.73	0.37	1.73	0.37			2.41	0.47	2.41	0.47												
6	1/4	13.7						2.24	0.63	2.24	0.63			3.02	0.80	30.2	0.80												
10	3/8	17.1						2.31	0.84	2.31	0.84			3.20	1.10	3.20	1.10												
15	1/2	21.3						2.77	1.27	2.77	1.27			3.73	1.62	3.73	1.62							4.78	1.95	7.5	2.55		
20	3/4	26.7						2.87	1.69	2.87	1.69			3.91	2.20	3.91	2.20							5.6	2.90	7.82	3.64		
25	1	33.4						2.38	2.50	2.38	2.50			4.55	3.24	4.55	3.24							6.35	4.24	9.1	5.45		
32	1 1/4	42.2						3.56	3.39	3.56	3.39			4.85	4.47	4.85	4.47							6.35	5.61	9.7	7.77		
40	1 1/2	48.3						3.68	4.05	3.68	4.05			5.08	5.41	5.08	5.41							7.14	7.25	10.2	9.56		
50	2	60.3						3.91	5.44	3.91	5.44			5.54	7.48	5.54	7.48							8.74	11.11	11.07	13.4		
65	2 1/2	73.0						5.16	8.63	5.16	8.63			7.01	11.41	7.01	11.41							9.53	14.92	14.0	20.4		
80	3	88.9						5.49	11.3	5.49	11.3			7.62	15.27	7.62	15.3							11.13	21.35	15.24	27.7		
90	3 1/2	101.6						5.74	13.57	5.74	13.57			8.08	18.63	8.08	18.63							-	-	16.2	34.1		
100	4	114.3						6.02	16.07	6.02	16.07			8.56	22.3	8.56	22.3			11.13	28.32			13.5	33.5	17.12	41.03		
125	5	141.3						6.55	21.77	6.55	21.77			9.53	30.9	9.53	30.9			12.7	40.2			15.9	49.11	19.0	57.4		
150	6	168.2						7.11	28.26	7.11	28.26			10.97	42.5	10.97	42.5							18.3	67.5	21.95	79.22		
200	8	219.1		6.35	33.3	7.0	36.8	8.18	42.5	8.18	42.55	10.31	53.10	12.7	64.6	12.7	64.5	15.1	75.92	18.3	90.4	20.6	100.9	23.0	111.27	22.23	108.0		
250	10	273.0		6.35	41.7	7.8	51.3	9.27	60.3	9.27	60.31	12.70	81.50	12.7	81.5	15.1	96.0	18.3	114.7	21.44	133.0	25.4	155	28.6	172.3	25.4	155.0		
300	12	323.9		6.35	49.7	8.4	65.2	9.53	73.8	10.31	79.73	14.30	109.0	12.7	97.4	17.5	132.0	21.4	160.0	25.4	187.0	28.6	208	33.3	238.7	25.4	187.0		
350	14	355.6	6.35	54.6	7.92	67.9	9.53	81.3	9.53	81.3	11.13	94.55	15.10	126.4	12.7	107.4	19.0	158.0	23.8	195.0	27.8	224.0	31.8	253.5	35.7	281.7			
400	16	406.4	6.35	62.6	7.92	77.9	9.53	93.3	9.53	93.3	12.7	123.3	16.70	160.0	12.7	123.3	21.44	203.5	26.2	245.5	30.9	286.6	36.53	333	40.5	365.4			
450	18	457.0	6.35	70.5	7.92	87.7	11.13	122.4	9.53	105.0	14.27	156.0	19.05	206.0	12.7	139.0	23.8	254.6	29.36	309.6	34.9	363.6	39.7	408.3	45.2	459.4			
500	20	508.0	6.35	78.5	9.53	117.2	12.7	155.1	9.53	117.2	15.09	183.4	20.62	248.5	12.7	155.1	26.2	311.2	32.54	381.5	38.1	441.5	44.4	508	50.0	564.8			
550	22	559.0	6.35	86.5	9.53	129.0	12.7	171.0	9.53	129.0			22.20	294.0	12.7	171.0	28.6	373.8	34.9	451.4	41.3	527.0	47.6	600	54.0	672.0			
600	24	610.0	6.35	94.5	9.53	141.0	14.3	209.7	9.53	141.0	17.48	255.4	24.61	355.0	12.7	187.0	30.96	442.08	38.89	547.7	46.0	640.0	52.4	720.15	59.5	808.00			
650	26	660.0	7.92	127.0	12.7	203.0			9.53	153.0					12.7	202.7													
700	28	711.0	7.92	137.4	12.7	218.7	15.88	271.2	9.53	165.0					12.7	218.7													A 106 Gr B
750	30	762.0	7.92	147.3	12.7	234.6	15.88	292.18	9.53	176.8					12.7	234.7													API - 5L - Gr B
800	32	813.0	7.92	157.0	12.7	250.6	15.88	312.0	9.53	188.2	17.48	342.9			12.7	250.6													A 333 Gr 6
850	34	864.0	7.92	167.0	12.7	266.6	15.88	332.1	9.53	200.3	17.48	364.9			12.7	266.6													
900	36	914.4	7.92	176.9	12.7	282.3	15.88	351.7	9.53	212.5	19.05	420.4			12.7	282.2													

## Round Bars

**Finish:** Black, Bright Polished, Rough Turned, NO.4 Finish, Matt Finish, BA Finish

**Length:** 1 to 6 Meters, Custom Cut Lengths

**Form:** Round Bars, Square Bars, Hex Bars, Rectangle Bars, Flat Bars, Threaded Bars, Billet, Ingot, Forging, etc.

**Stainless Steel:** ASTM A276 304/ 304L/ 304H/ 316/ 316L/ 317/ 317L/ 321/ 310/ 347/ 904L/ etc.

**Carbon Steel:** AISI 1018/ AISI 1045/ ASTM A105/ ASTM A350 LF2, EN Series

**Alloy Steel:** ASTM A182 F1/ F5/ F9/ F11/ F22/ F91/ etc.

### High Nickel Alloy:

**Inconel:** 600 /601 /625 /800 /825 /718

**Hastelloy:** C4 /C22 /C276 /B2 /B3

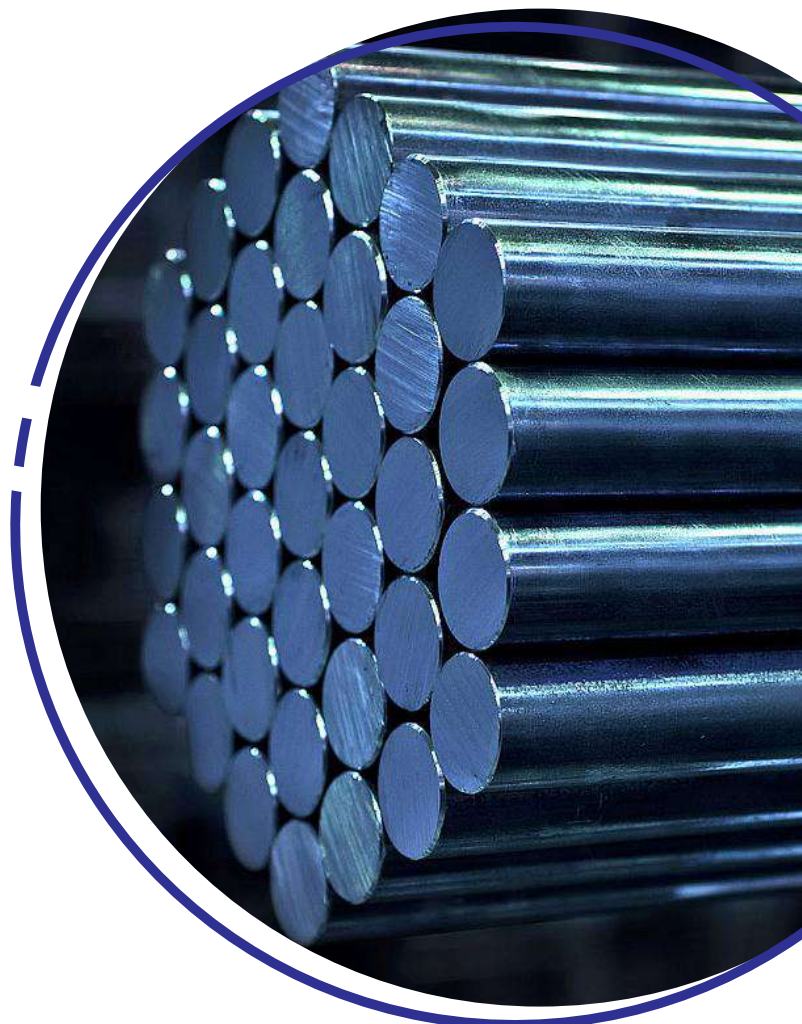
**Nickel:** 200/201

**Cupro-Nickel:** 70/30, 90/10, 95/5

**Duplex Steel:** S31803 / S32205

**Super Duplex Steel:** S32750 S32760

**Titanium:** 1 /2 /3 /4 /5 /7





## Sheets/ Plates/ Coils

**Surface:** 2B, 2D, BA, NO.1, NO.4, NO.8, 8K, mirror, checkered, embossed, hair line, sand blast, Brush, etching, etc.

**Finish:** Hot rolled plate (HR), Cold rolled sheet (CR), 2B, 2D, BA NO (8), SATIN (Met with Plastic Coated)

**Form:** Coils, Foils, Rolls, Plain Sheet, Shim Sheet, Perforated Sheet, Chequered Plate, Strip, Flats, Blank (Circle), Ring (Flange) etc.

**Thickness:** 4mm-100mm

**Width:** 1000mm, 1219mm, 1500mm, 1800mm, 2000mm, 2500mm, 3000mm, 3500mm, etc.

**Length:** 2000mm, 2440mm, 3000mm, 5800mm, 6000mm, etc.

**Stainless Steel:** ASTM A240 304/ 304L/ 304H/ 316/ 316L/ 317/ 317L/ 321/ 310/ 347/ 904L/ etc.

**Carbon Steel:** ASTM A515 Gr 60, Gr 70/ ASTM A516 Gr 60, Gr 65, Gr 70 / C45 / EN8 / ASTM A572 Gr 42/50.

**Alloy Steel:** ASTM A387 Grade 1/5/9/11/22/91/92

### High Nickel Alloy:

**Inconel:** 600 /601 /625 /800 /825 /718

**Hastelloy:** C4 /C22 /C276 /B2 /B3

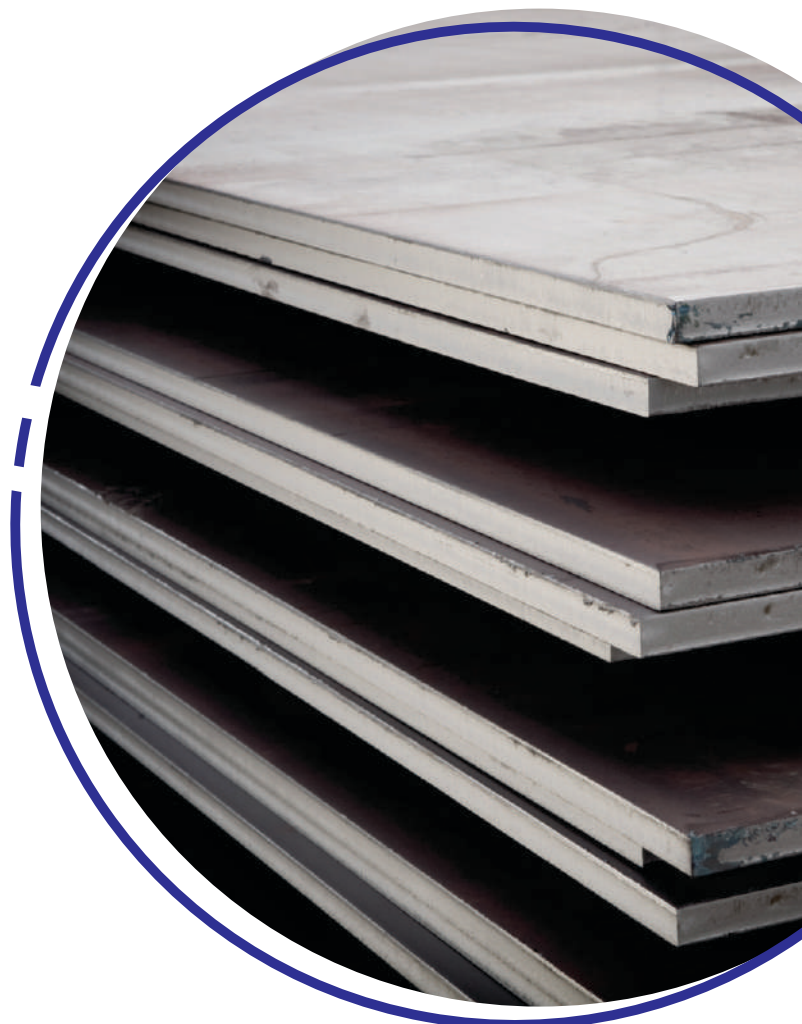
**Nickel:** 200/201

**Cupro-Nickel:** 70/30, 90/10, 95/5

**Duplex Steel:** S31803 / S32205

**Super Duplex Steel:** S32750 S32760

**Titanium:** 1 /2 /3 /4 /5 /7



## Fasteners

**Type of Fasteners:** Bolts, Screws, Nuts, Washers, Rivets, Concrete Anchors, Inserts, Threaded Rod, Retaining Rings, Hex Head Bolts, Square Bolts, U bolts, Eye bolts, T bolt, Hex Bolt, Lag Bolts, Counter sunk Bolts, Hex Head nuts, Square nuts, Lock nuts, Eye nuts, wing nuts, T nuts, Panel Nuts, Coupling Nuts, Dome nuts, Acorn Nuts, Flat Washer, Lock Washer, Sealing Washer, Split Washer, Slot Washer, Machine Washer, Star Washer Springs – Wire Spring & Flat Spring.

**Stainless Steel:** ASTM A193 304/ 304L/ 304H/ 316/ 316L/ 317/ 317L/ 321/ 310/ 347/ 904L/ etc.

**Carbon Steel:** Grade A/ B / C

**Alloy Steel:** B6 / B7 / B7M / B16 / 2 / 2HM / 2H / GR 6/ GR 7 / GR 7M

**High Nickel Alloy:**

**Inconel:** 600 /601 /625 /800 /825 /718

**Hastelloy:** C4 /C22 /C276 /B2 /B3

**Nickel:** 200/201

**Cupro-Nickel:** 70/30, 90/10, 95/5

**Duplex Steel:** S31803 / S32205

**Super Duplex Steel:** S32750 S32760

**Titanium:** 1/2 /3 /4 /5 /7





**Neelkamal Alloys LLP**

24/26, Shop No- 6B, Sindhi Lane, Near N. D. Road,  
Mumbai- 400004, INDIA.



+91- 22- 66362225 / 66662225 / 67432225



[satish@nkalloys.com](mailto:satish@nkalloys.com)



[www.nkalloys.com](http://www.nkalloys.com)

